

F

E

D

C

B

A

4

4

3

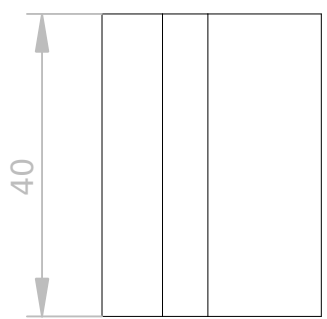
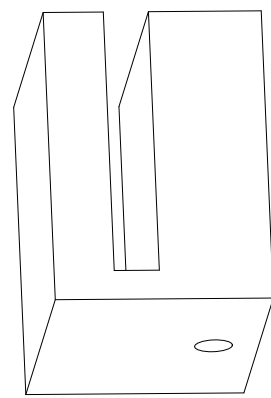
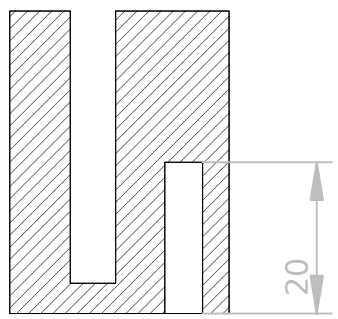
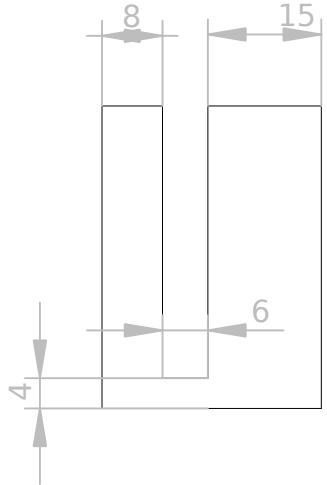
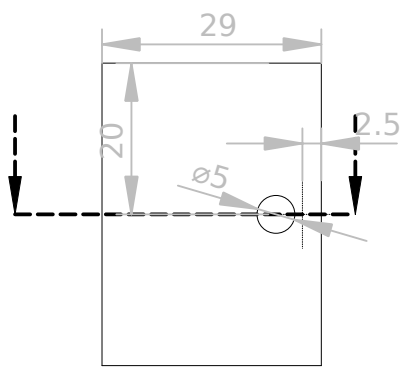
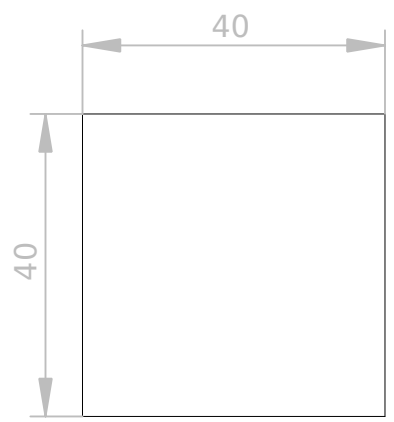
3

2

2

1

1



| | | | | | |
|---|--|--------------------------------------|--|--------------|---|
| DESIGNED BY: zer0 | | Charnière porte de douche Support | | G | — |
| DATE: 2022-01-29 | | | | F | — |
| SIZE A4 | | DRAWING NUMBER v2 | | E | — |
| SCALE 1:1 | | | | SHEET 1/2 | |
| WEIGHT (kg) | | DRAWING NUMBER v2 | | C | — |
| | | | | B | — |
| | | | | A | — |
| This drawing is our property; it can't be reproduced or communicated without our written consent. | | | | | |



F

E

D