

D

C

B

A

4

4

3

3

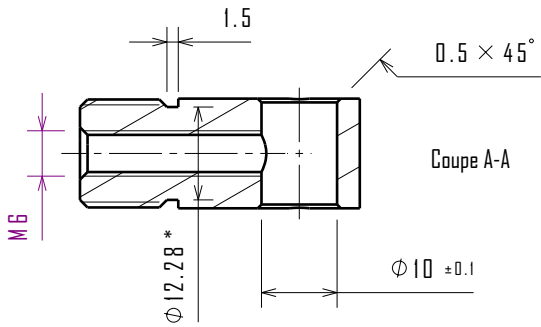
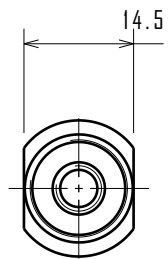
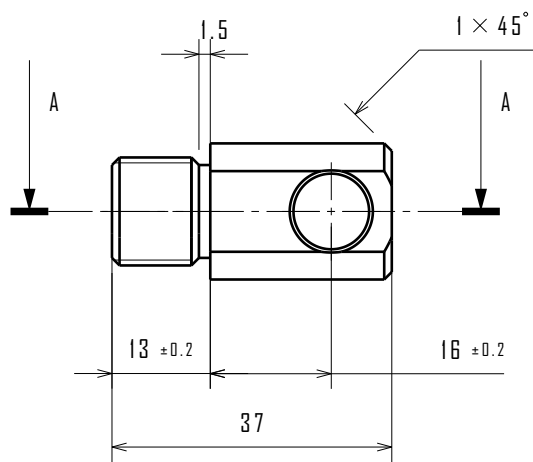
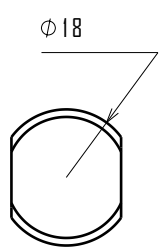
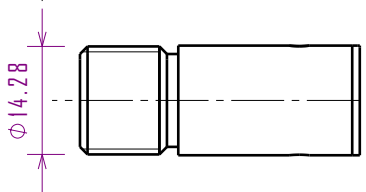
2

2

1

1

filetage à gauche 9"/16 pas 1.27



* diamètre de dégagement selon besoin pour faisabilité



OBVIOUS CYCLES

DRAWING TITLE

FIXATION PEDALE - PIED EXPO

DRAWN BY
dfelix

DATE
28/01/2023

This drawing is OBVIOUS CYCLES property. It can't be reproduced or communicated without company written agreement.

MATERIAL
XC38 ou C35
brunissage
chaud ou froid

SIZE
A4

DRAWING NUMBER
OBDW20230001

3D FILE
pedal expo

REV
A

SCALE
1:1

WEIGHT(kg)
0,01

SHEET
1/1

D

A