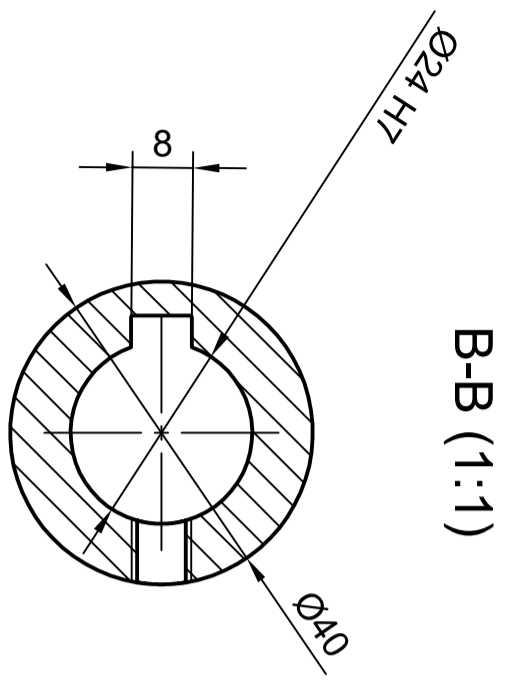
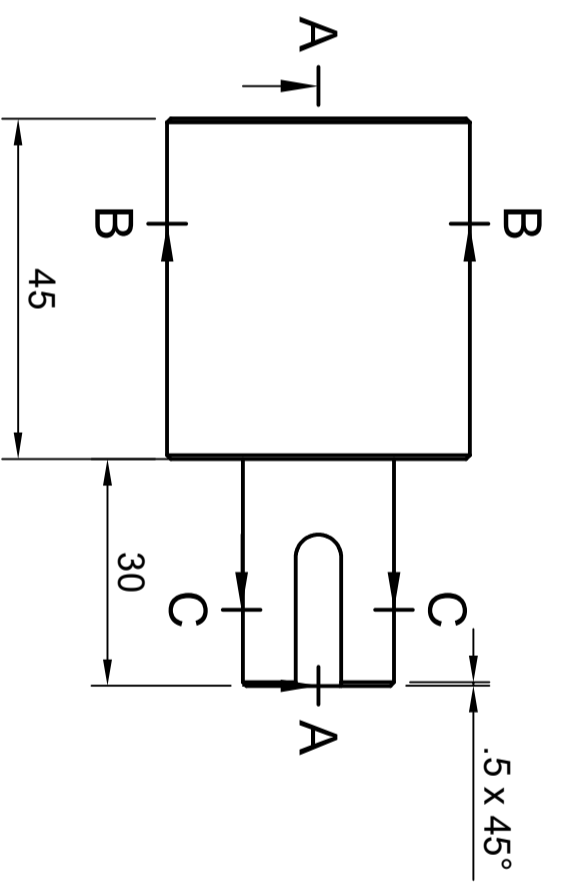


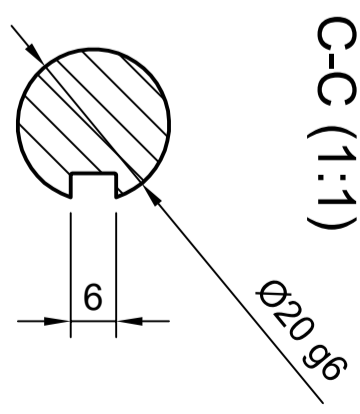
A-A (1:1)



B-B (1:1)



C-C (1:1)



Dept.	Technical reference	Created by	Approved by
		Marie-Sarah Lopez 26/01/2023	
		Document type	Document status
		Title	DWG No.
		Adaptateur cardan	
Rev.	Date of issue	Sheet	
		1/1	