

F

E

D

C

B

A

4

3

2

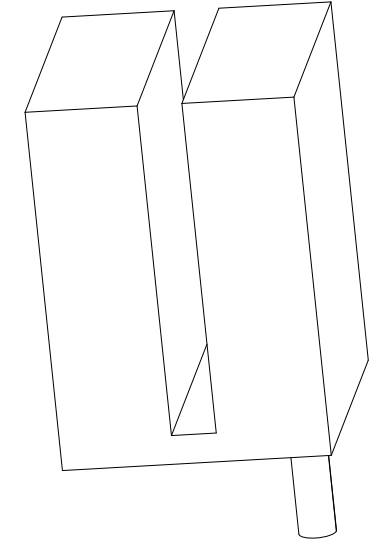
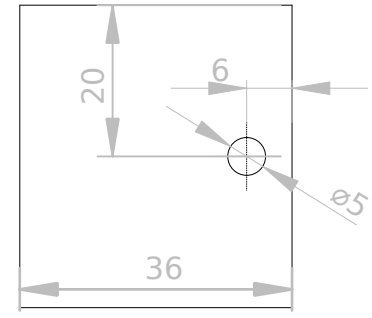
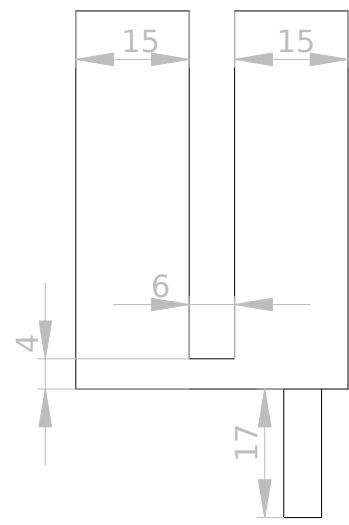
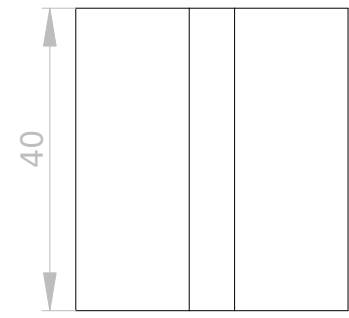
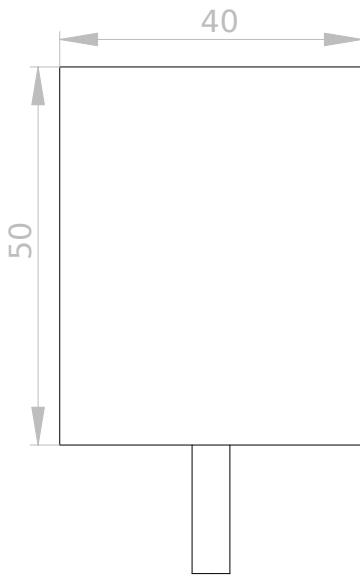
1


4

3

2

1



DESIGNED BY: zer0		Charnière porte de douche		G	—
DATE: 2022-01-19		Inox		F	—
SIZE A4				E	—
SCALE 1:1				D	—
WEIGHT (kg)	DRAWING NUMBER	C	—		
		B	—		
		A	—		
SHEET 1/1					
This drawing is our property; it can't be reproduced or communicated without our written consent.					

F

E

D