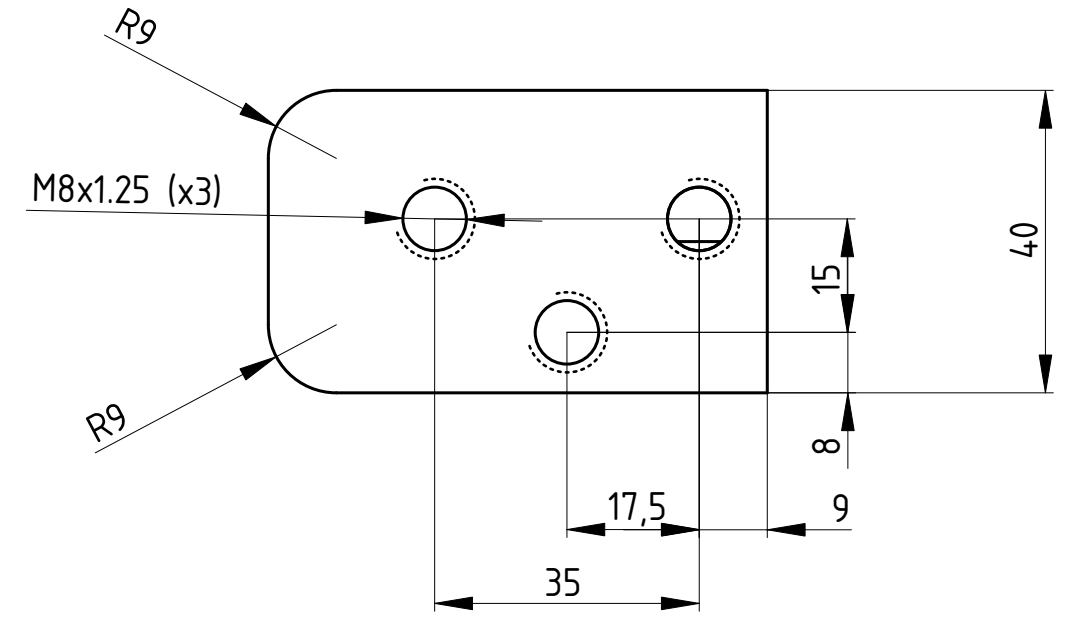
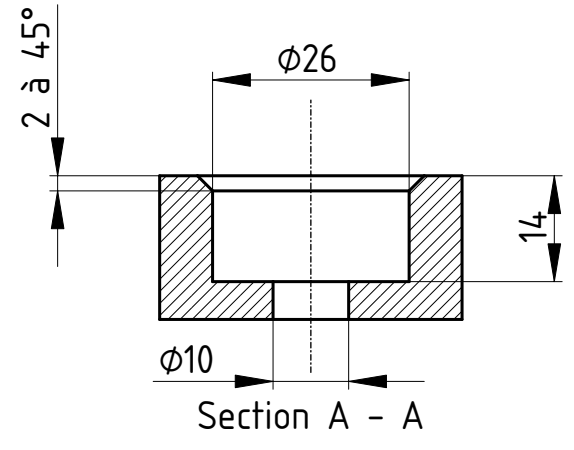


H G F E D C B A

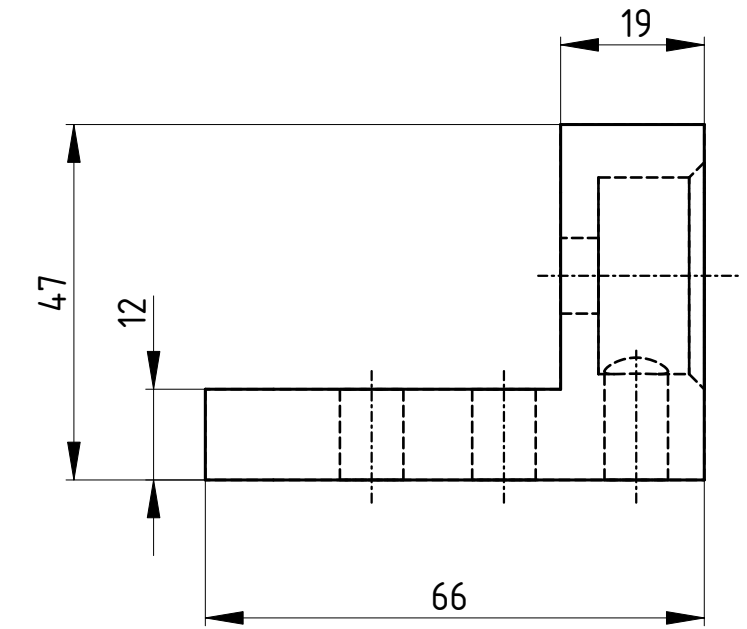
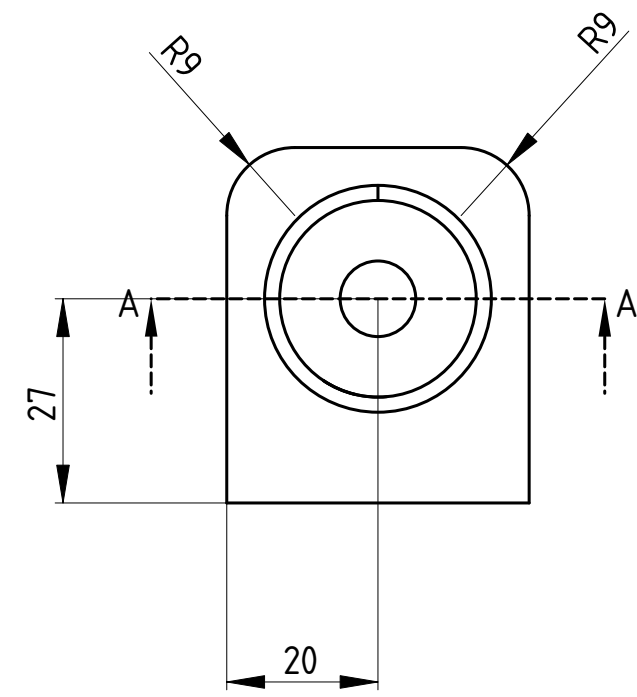
4

4



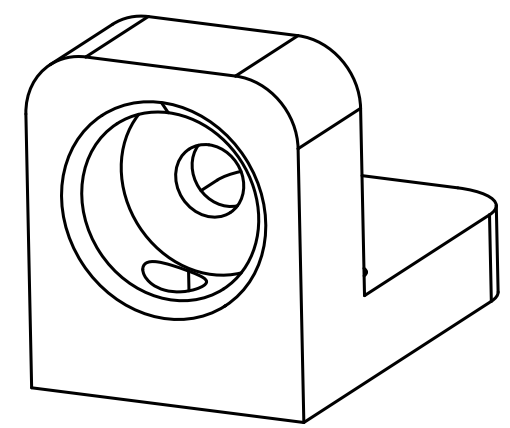
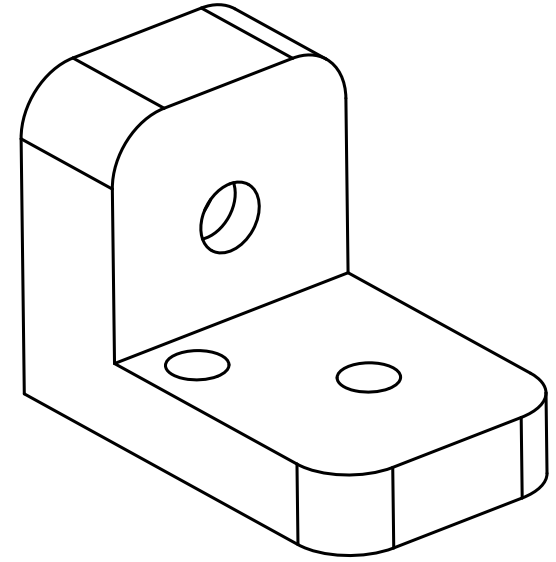
3

3



2

2



Tolérance générale : +/- 0.2

DESIGNED BY: EBN		EQUERRE GAUCHE		I	-
DATE: 10/12/2022				H	-
CHECKED BY:		Material : Acier inox 316L / 316L stainless steel		G	-
DATE:				F	-
SIZE A3		DRAWING NUMBER		E	-
SCALE 1/1	WEIGHT (kg) -			D	-
		SHEET SHEET 1/1		C	-
				B	-
This drawing is our property; it can't be reproduced or communicated without our written agreement.				A	-

H G B A

1

1