

12

11

10

9

8

7

6

5

4

3

2

1

H

G

F

E

D

C

B

A

H

G

F

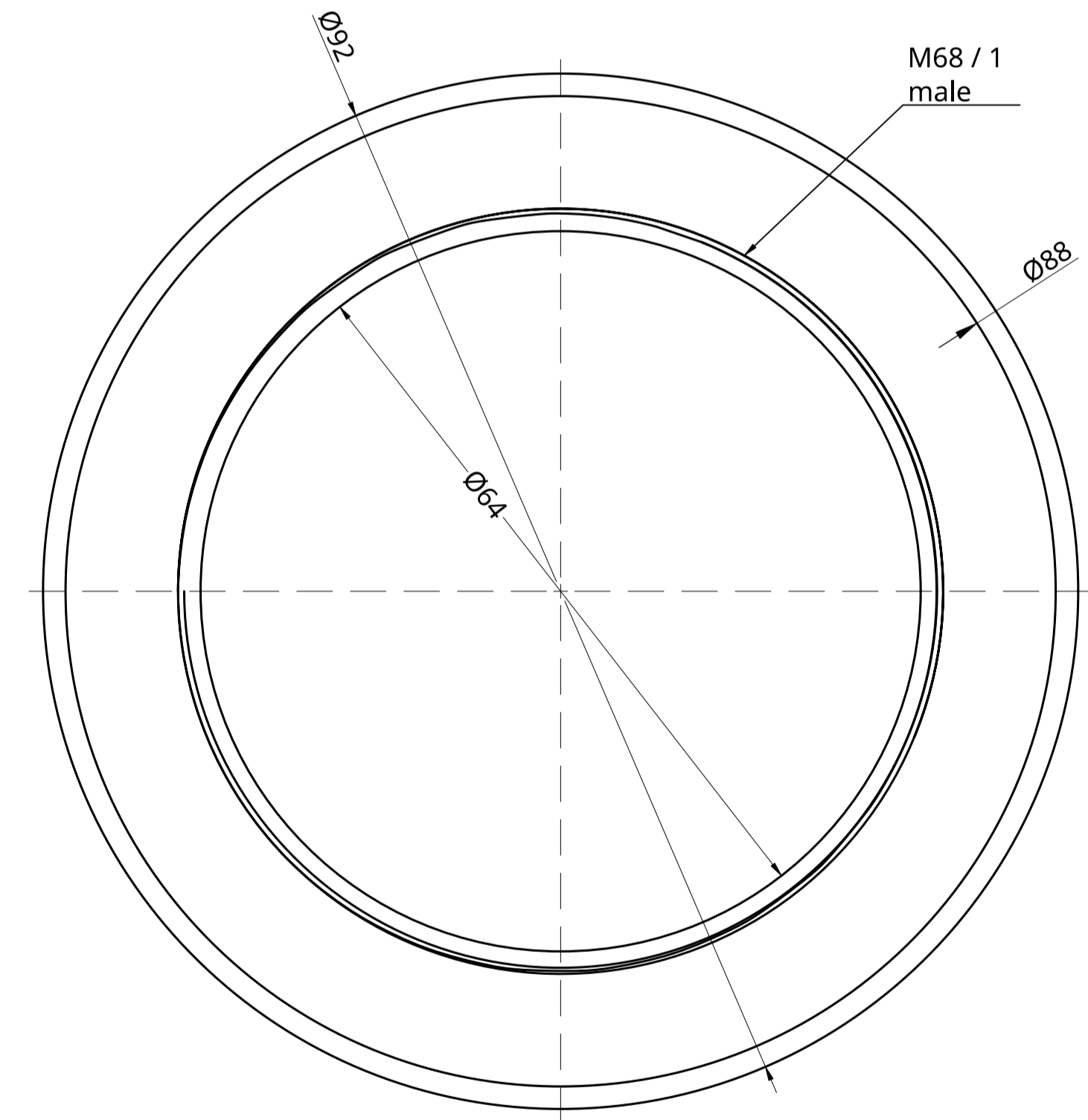
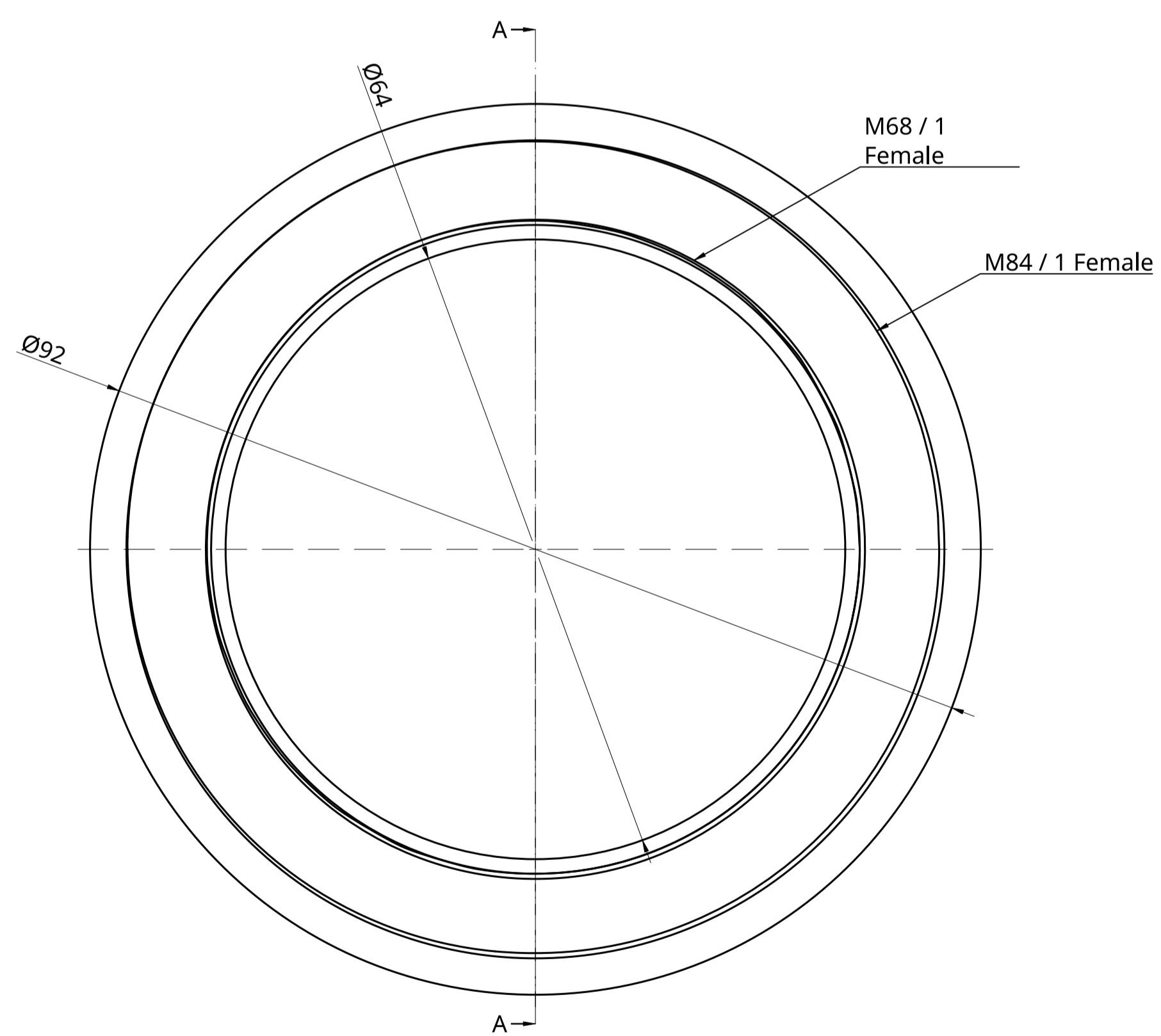
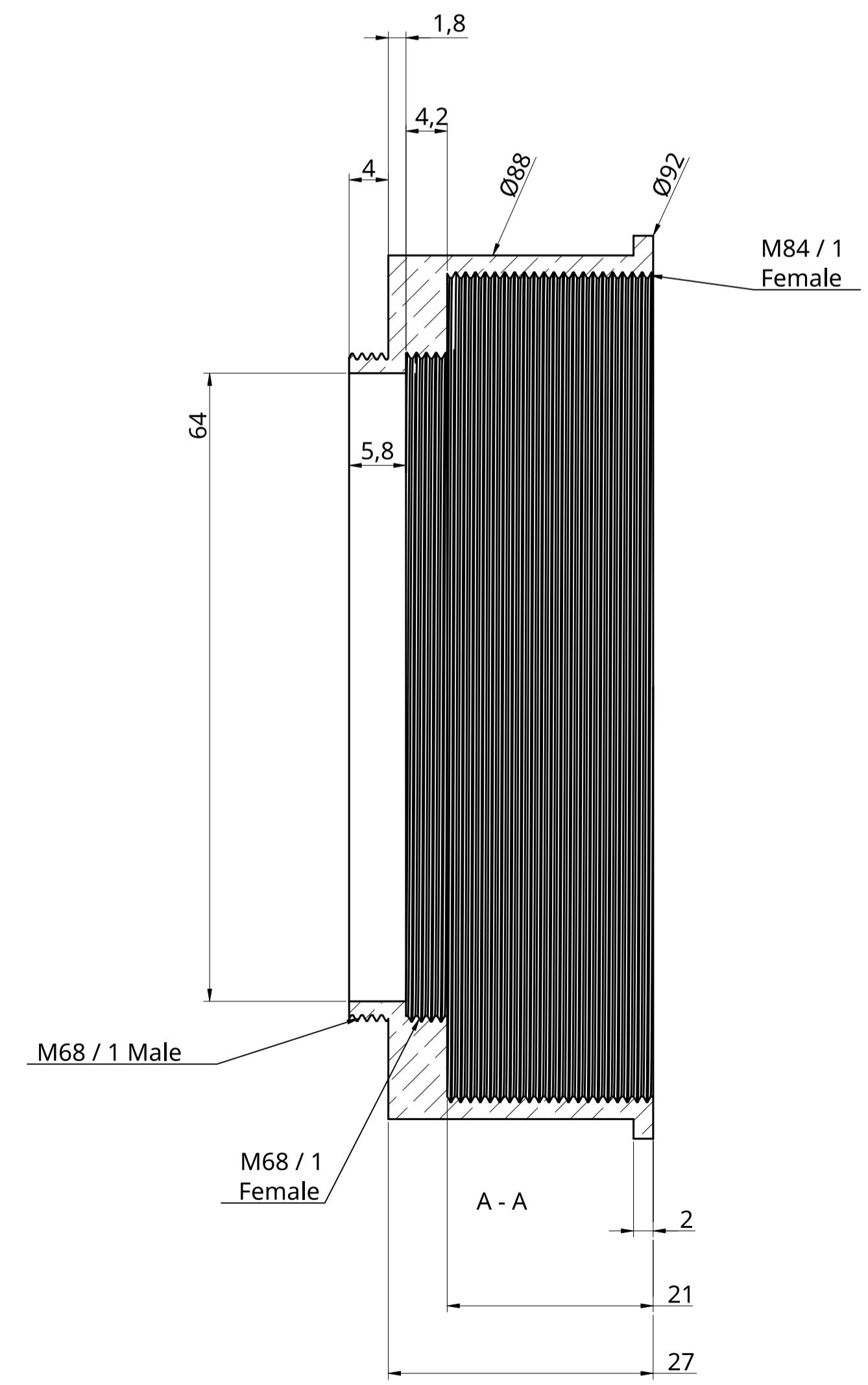
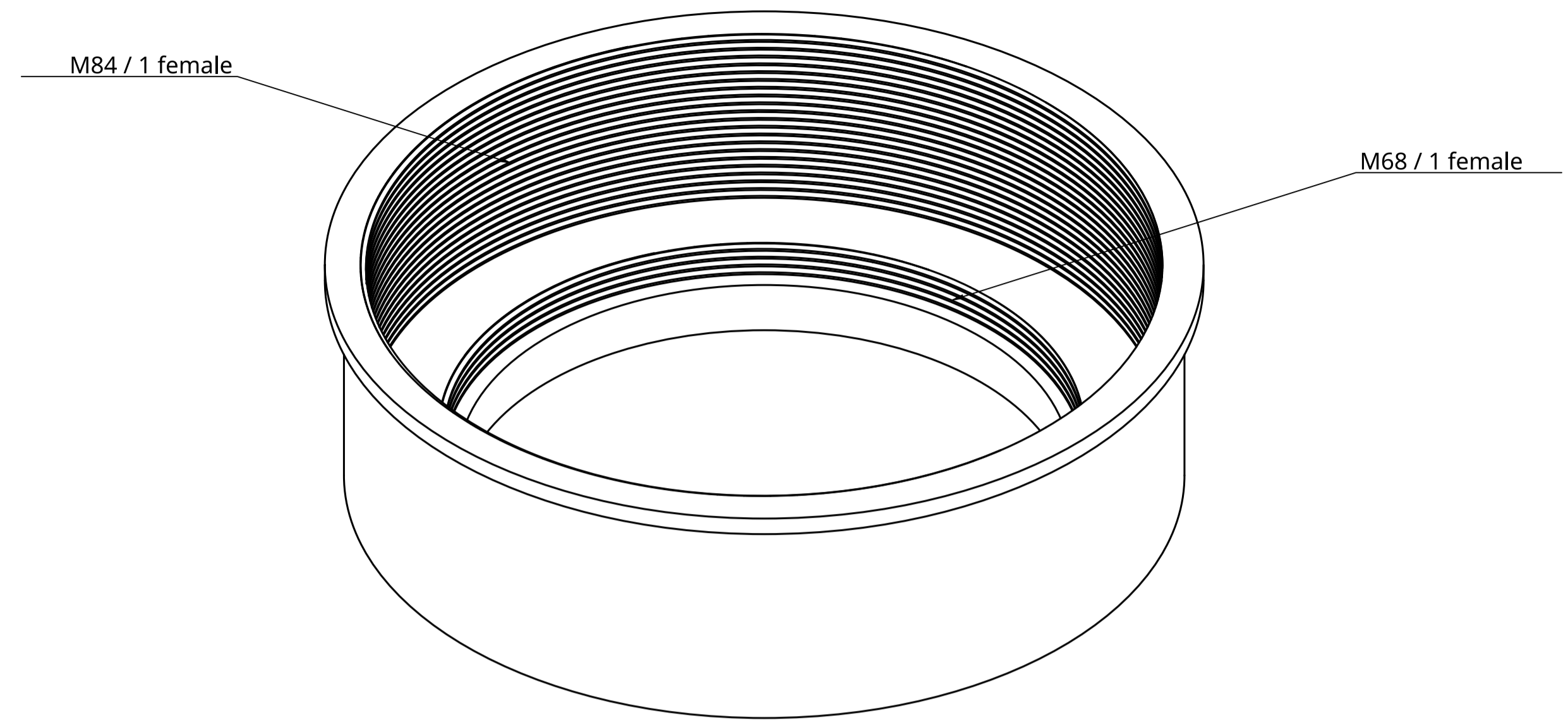
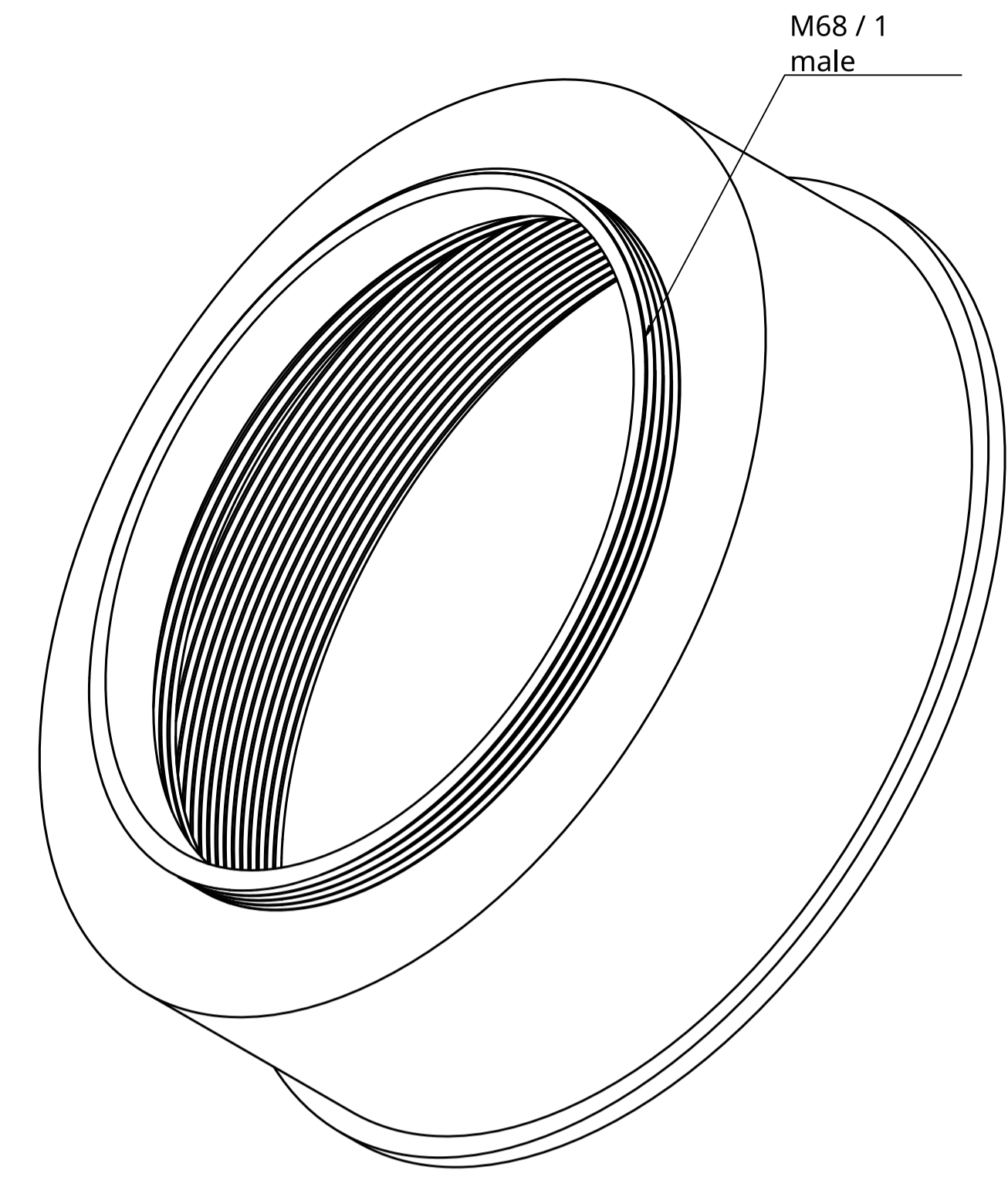
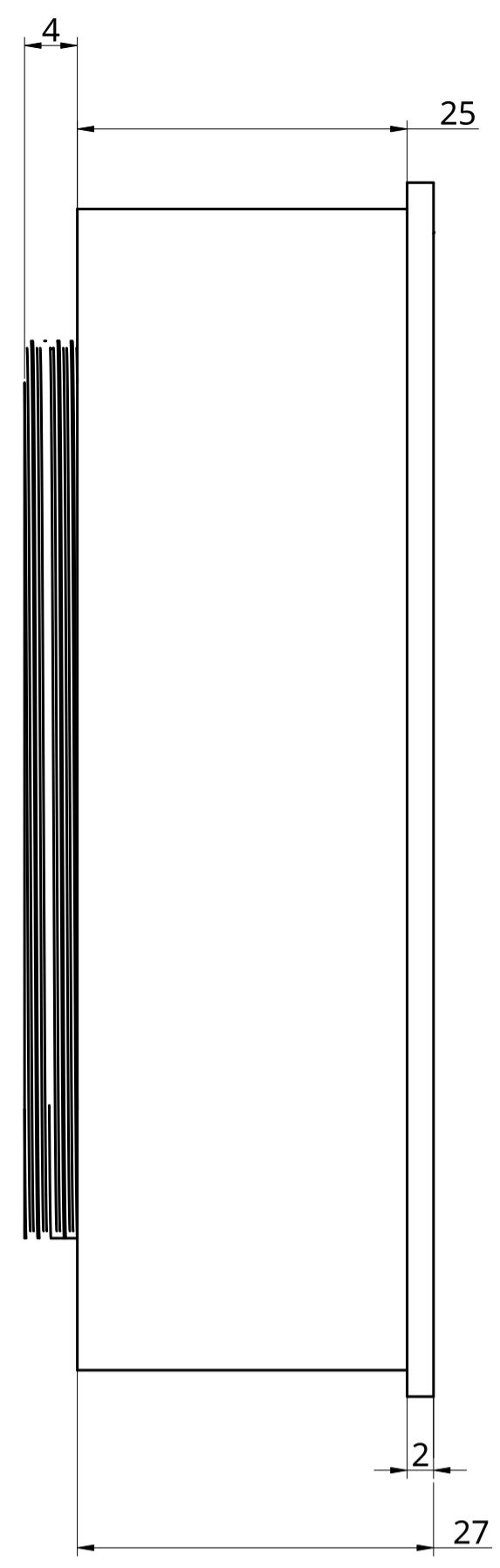
E

D

C

B

A



UNLESS OTHERWISE SPECIFIED, DIMENSIONS ARE IN MILLIMETERS		NAME	SIGNATURE	DATE	
DRAWN	ANGULAR = ± °	LEO CAZALAA		2022-12-19	
CHECKED					TITLE
APPROVED					
DO NOT SCALE DRAWING					
BREAK ALL SHARP EDGES AND REMOVE BURRS					
FIRST ANGLE PROJECTION	MATERIAL	FINISH		SIZE	DWG NO.
				A1	
				SCALE	2:1
				WEIGHT	
				SHEET	1 of 1
				REV.	

12

11

10

9

8

7

6

5

4

3

2

1