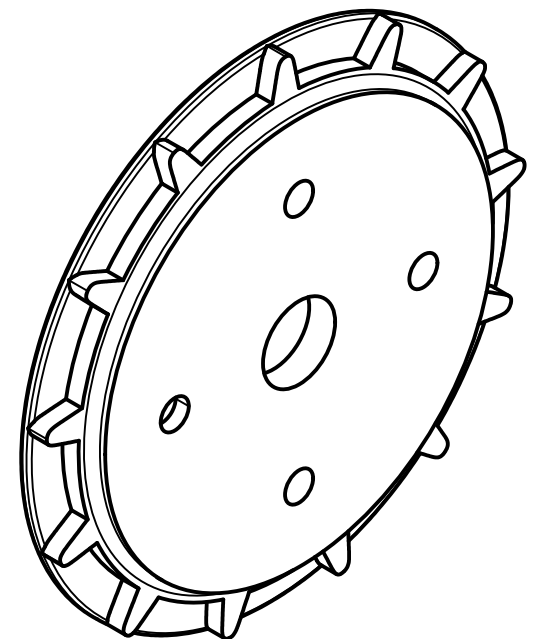
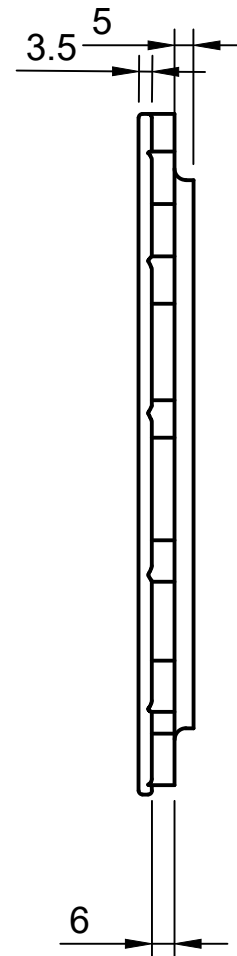
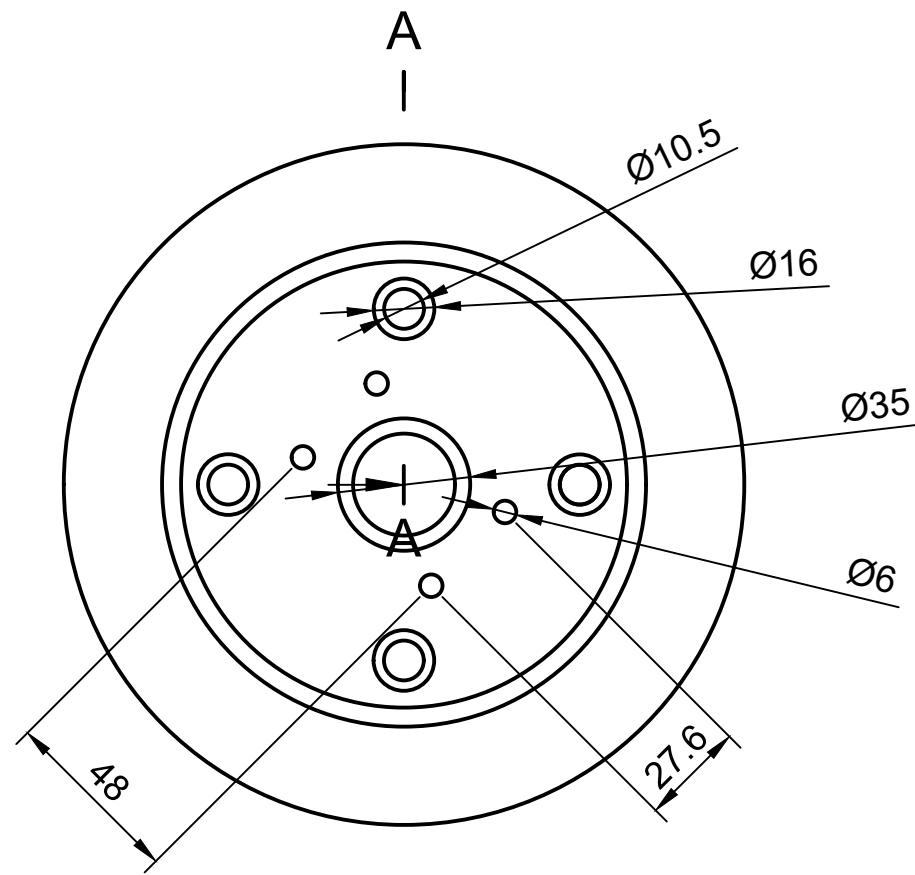


Vue Avant

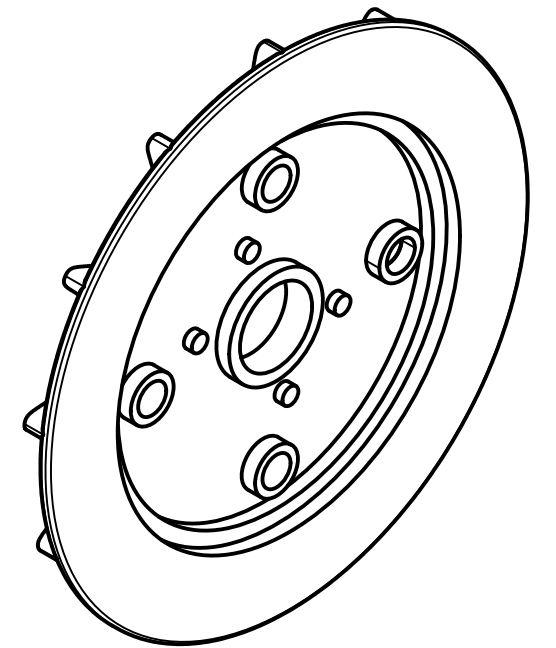
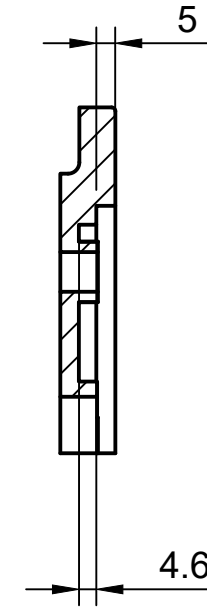


Dept.	Technical reference	Created by Waren Poyer 25/11/2022	Approved by	
		Document type	Document status	
		Title Roue engrenage v4[463]	DWG No.	
		Rev.	Date of issue	Sheet 1/2



Vue Arriere

A-A (1:2)



Dept.	Technical reference	Created by Waren Poyer 25/11/2022	Approved by
		Document type	Document status
		Title Roue engrenage v4[463]	DWG No.
		Rev.	Date of issue
			Sheet 2/2