

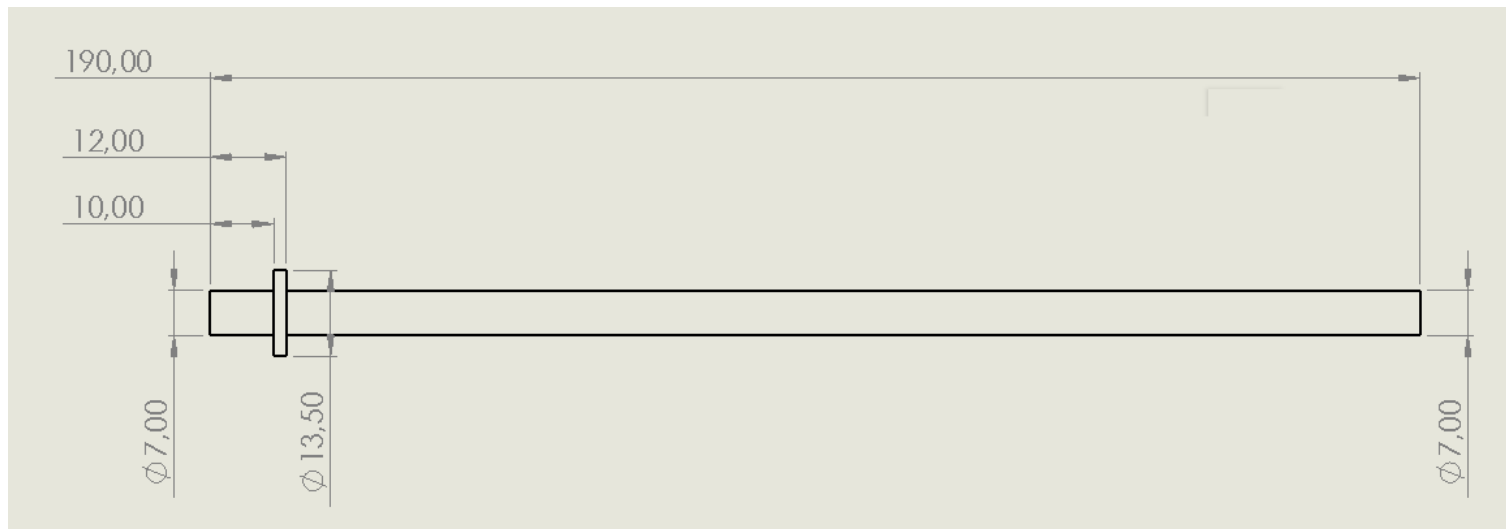
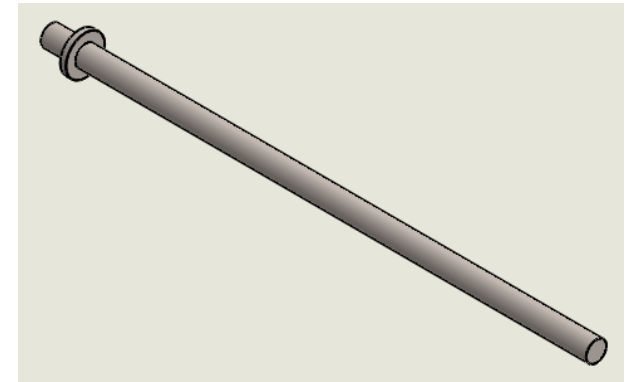
# Machining plan

quotations in mm

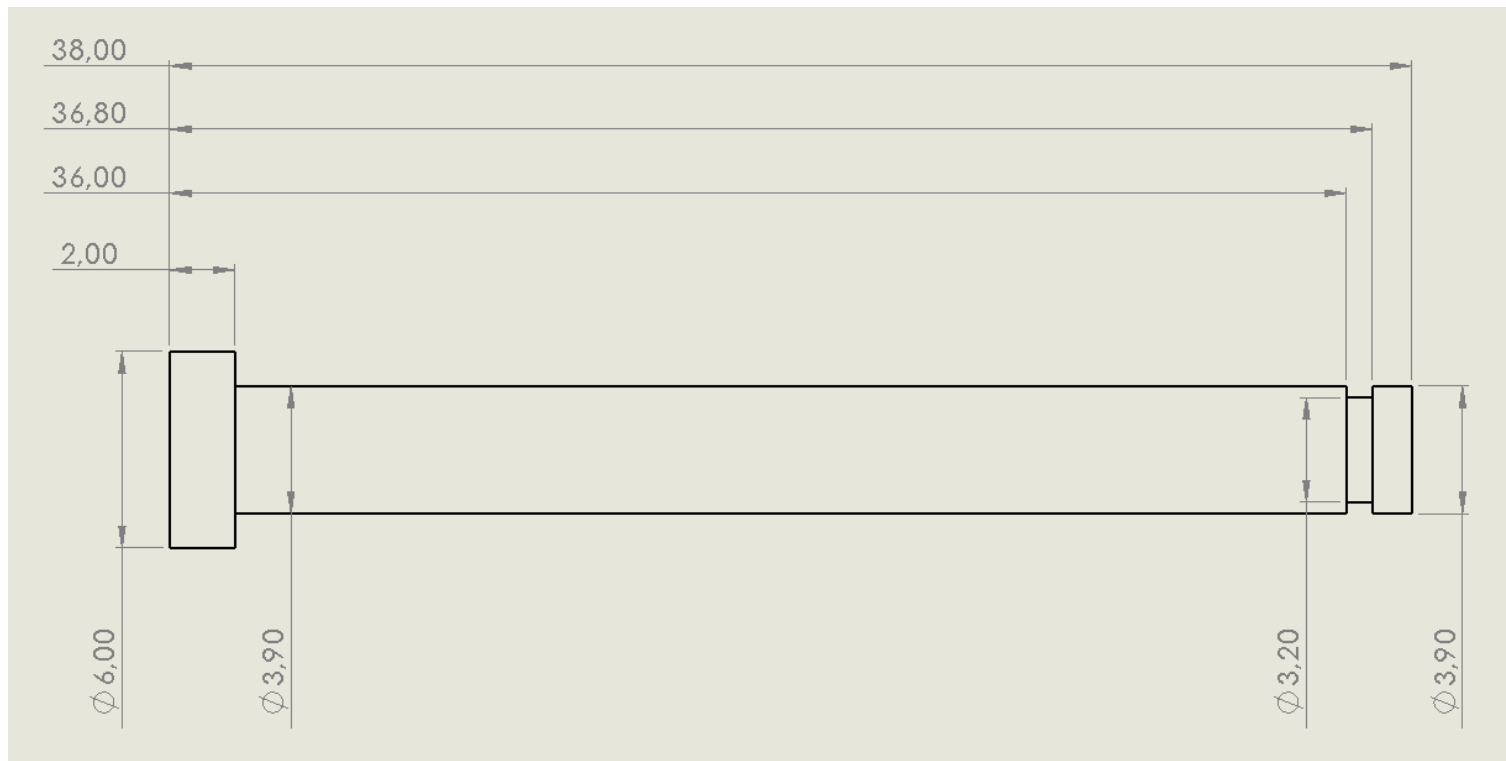
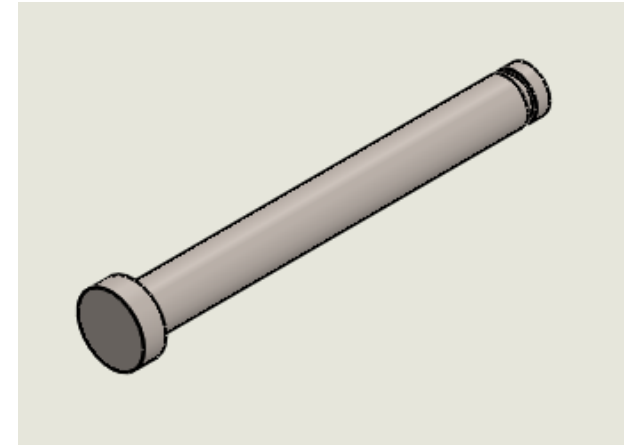
# Bill of materials

Name	Material	Quantity
rod_large	steel 4140 or 4150	x5
rod_medium	steel 4140 or 4150	x20
rod_small	steel 4140 or 4150	x20

rod\_large



# rod\_medium



rod\_small

