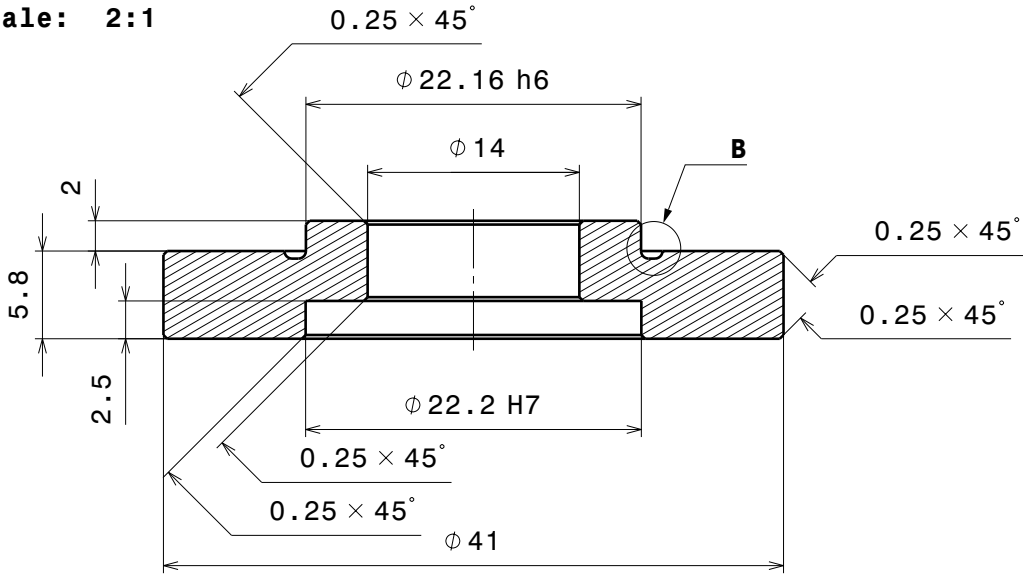
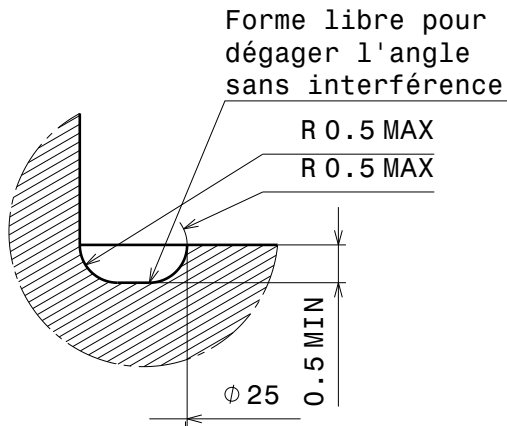


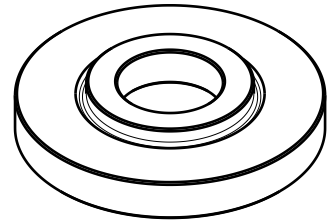
Section view A-A
Scale: 2:1



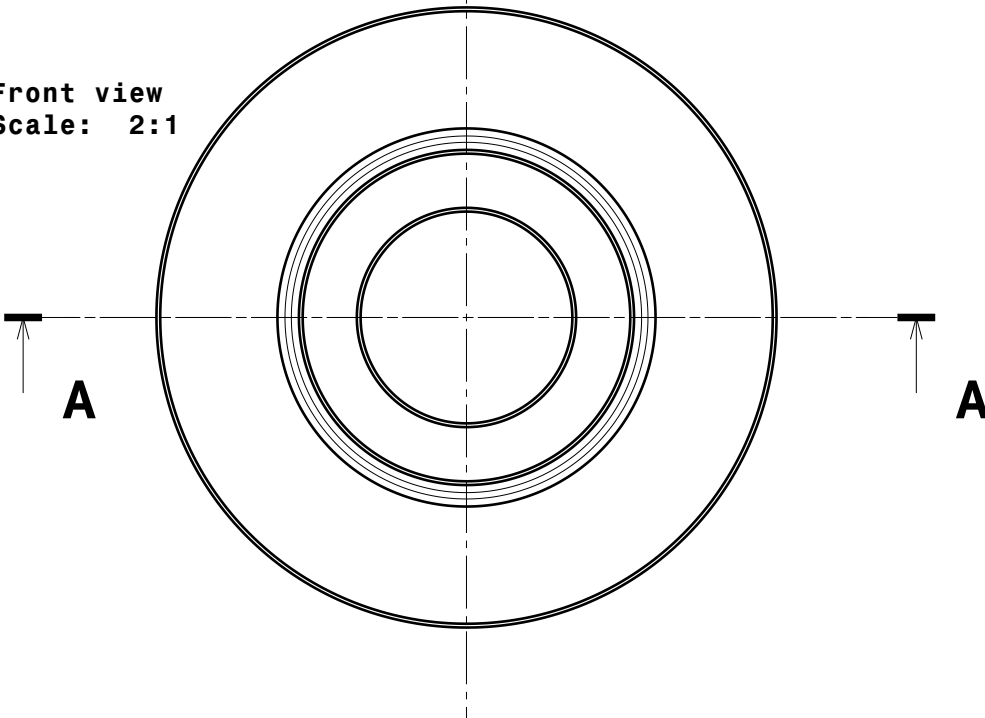
Detail B
Scale: 10:1



Isometric view
Scale: 1:1



Front view
Scale: 2:1



Tolerance : ISO 2768-mK