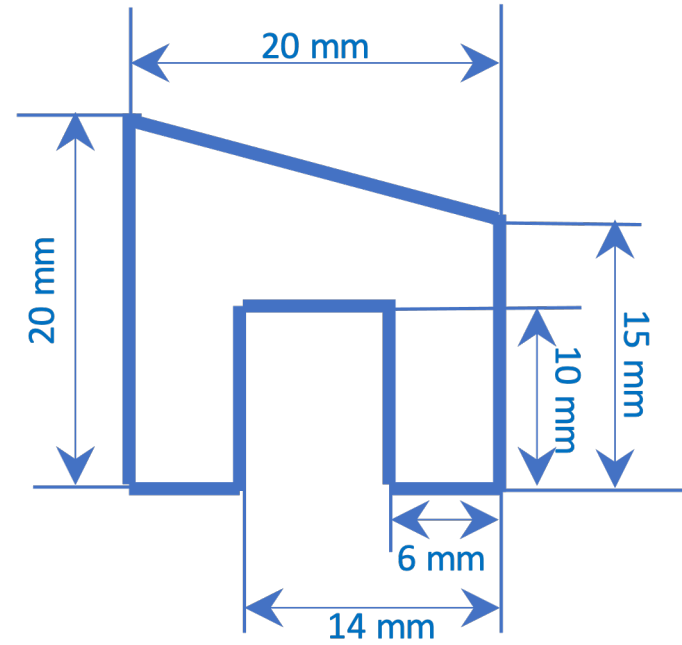


PROFILE 1



PROFILE 2