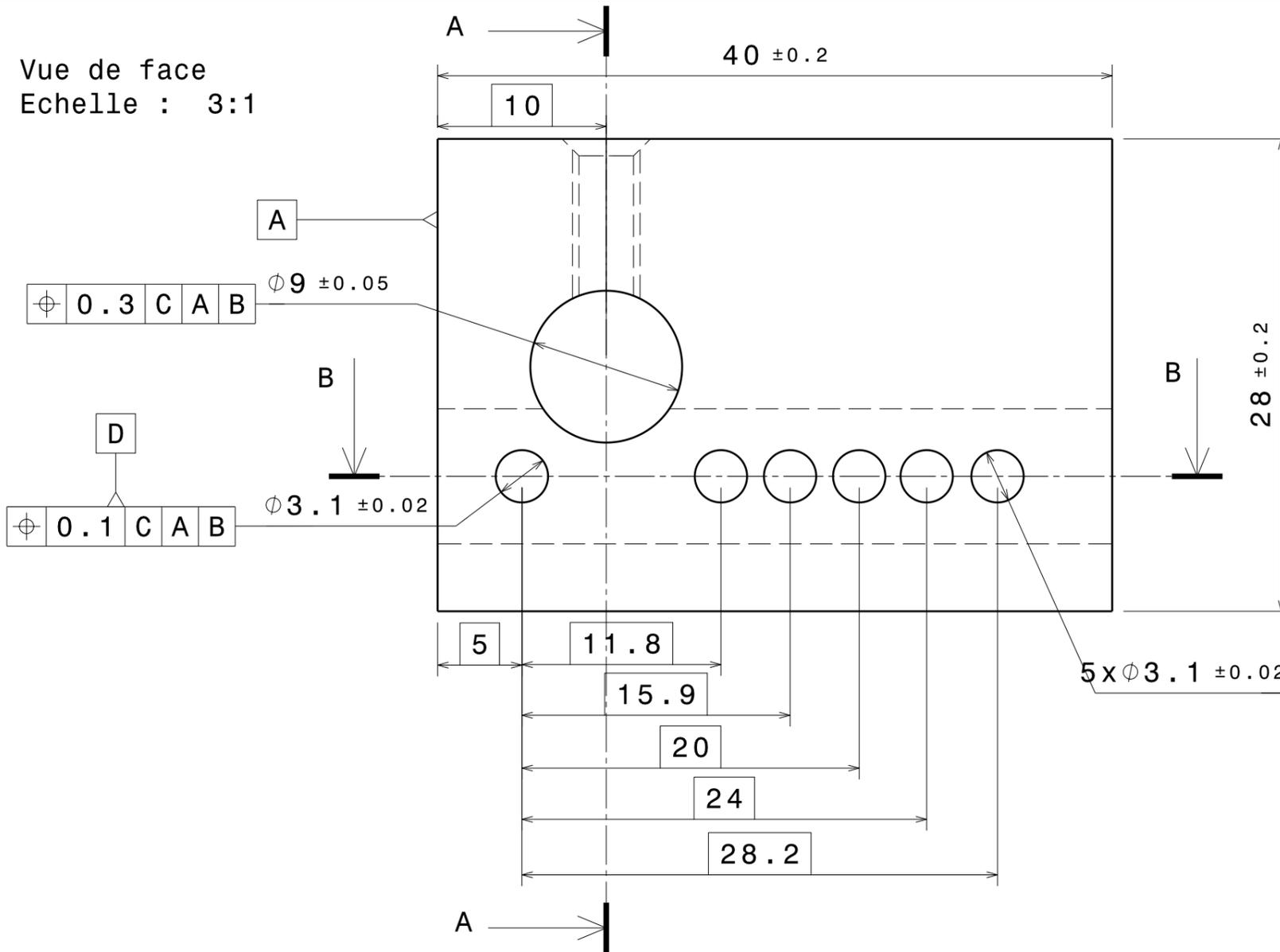
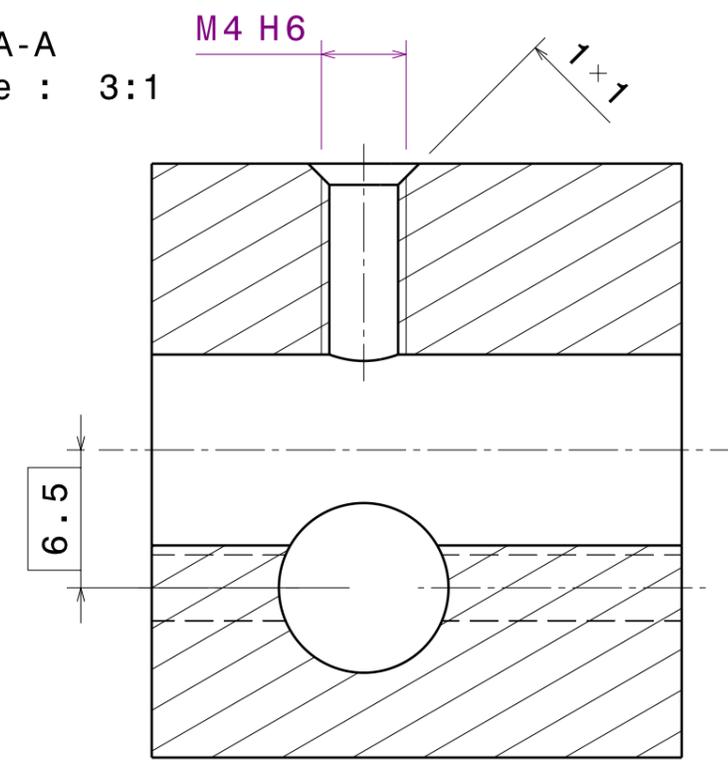


Vue de face
Echelle : 3:1



Coupe A-A
Echelle : 3:1



$\phi 0.3$ C A B

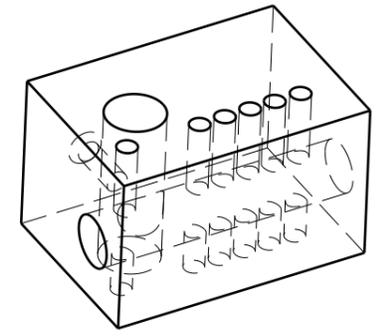
$\phi 3.1 \pm 0.02$

$\phi 0.1$ C A B

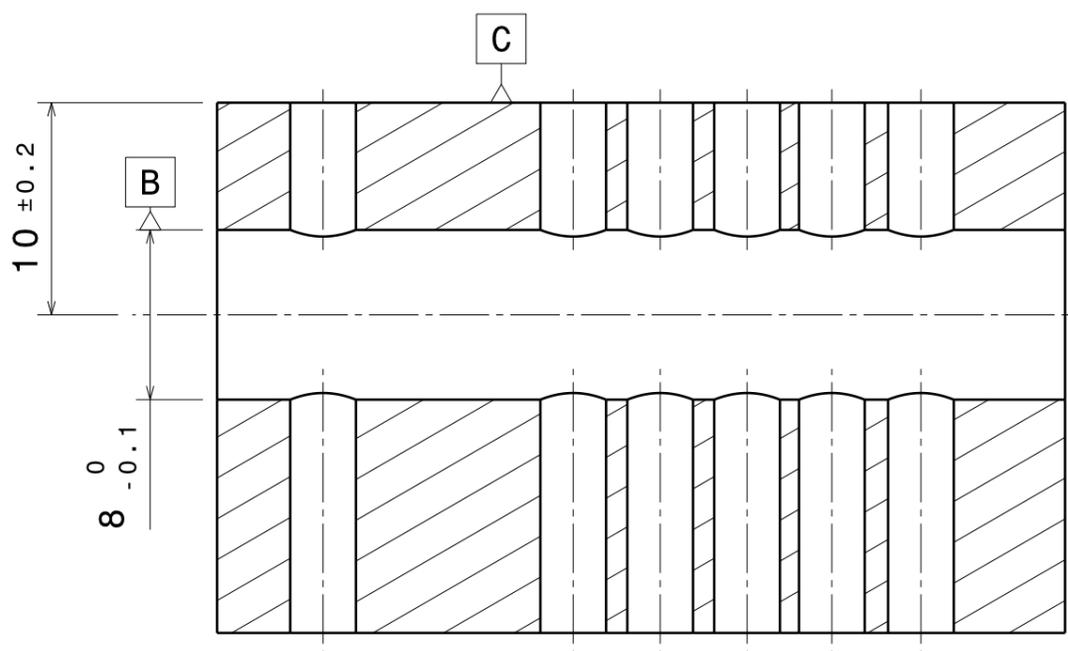
5x $\phi 3.1 \pm 0.02$

5x $\phi 0.1$ C B D

Vue isométrique
Echelle : 1:1



Coupe B-B
Echelle : 3:1



DESIGNED BY: A.Viguiier		guide_percage_tige		I	-
DATE: 16/10/2022				H	-
CHECKED BY: XXX		XilKit		G	-
DATE: XXX				F	-
SIZE: A3		XXX		E	-
SCALE: 3:1				WEIGHT (kg): XXX	D
DRAWING NUMBER: XXX		SHEET: 1/1		C	-
This drawing is our property; it can't be reproduced or communicated without our written agreement.				B	-
				A	-