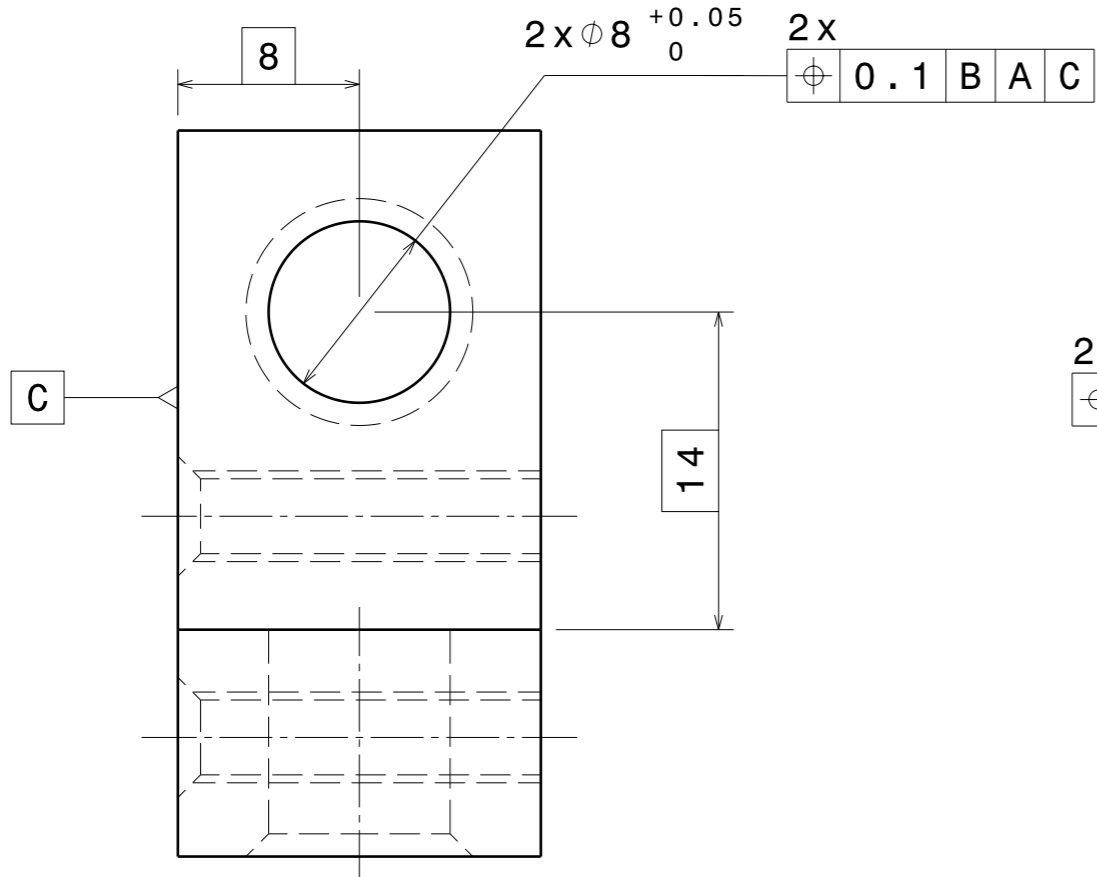
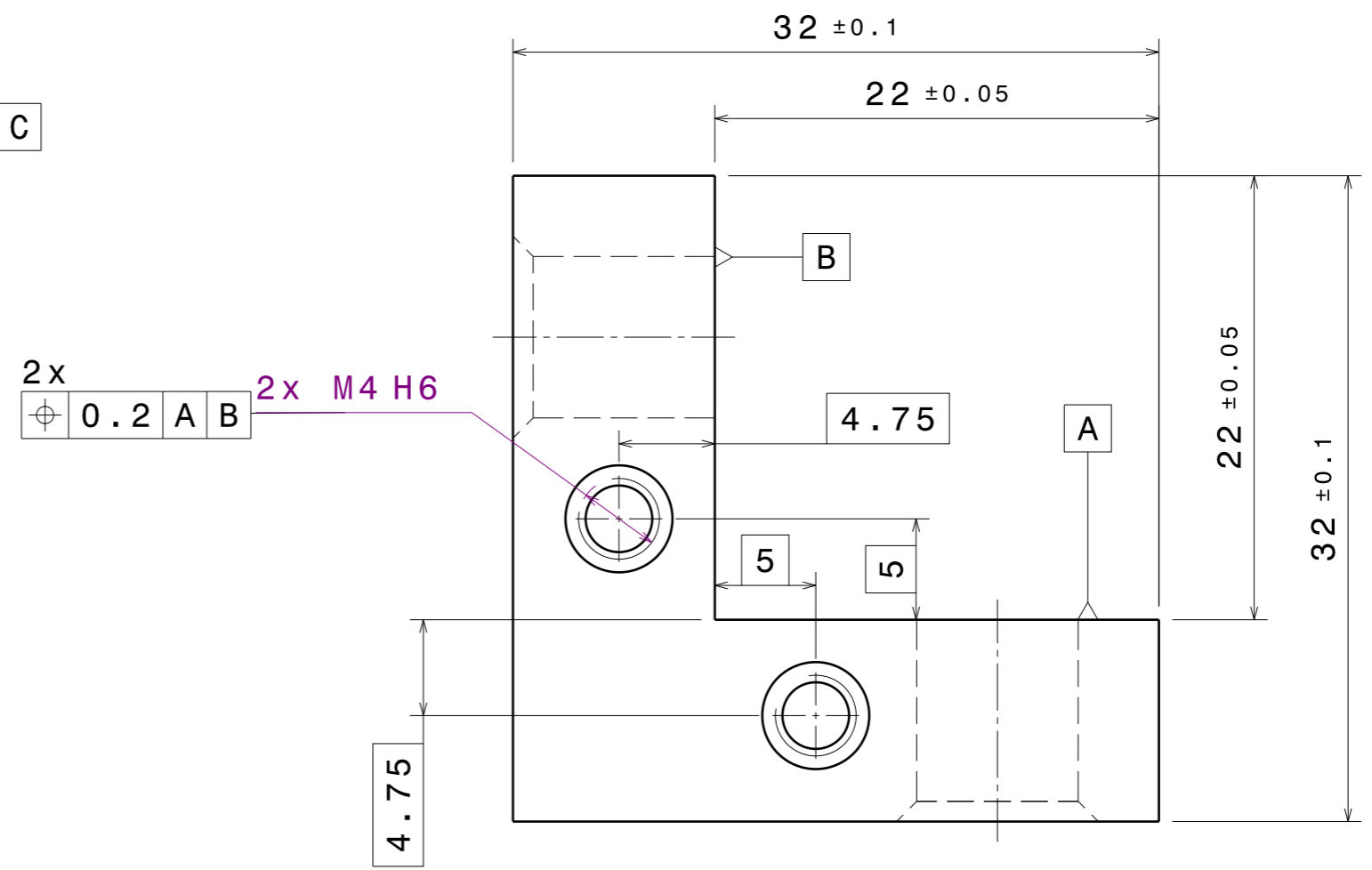


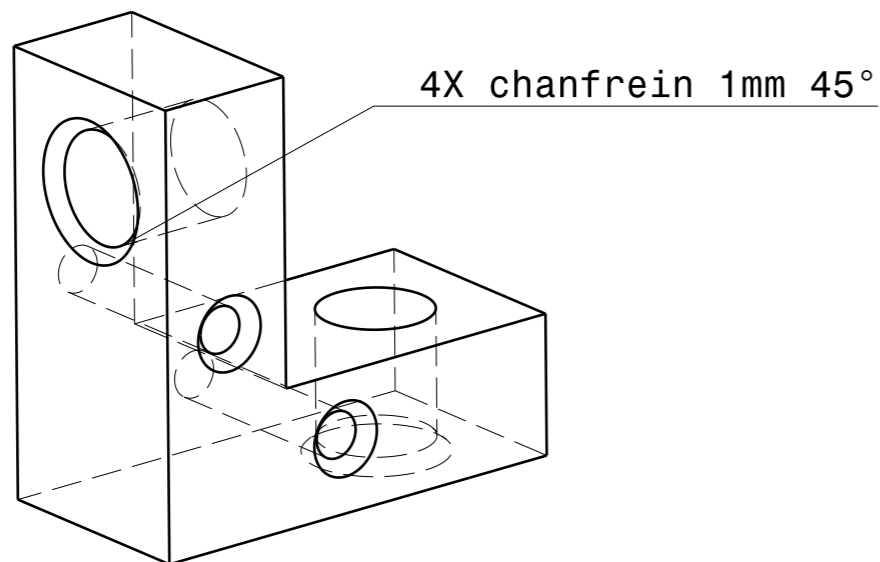
Vue auxiliaire B
Echelle : 3:1



vue de face
Echelle : 3:1



Vue isométrique
Echelle : 2:1



DESIGNED BY: A. Viguiier		<h1>guide perçage equerre</h1>		I	—
DATE: 16/10/2022				H	—
CHECKED BY: XXX				G	—
DATE: XXX		<h2>XilKit</h2>		F	—
SIZE: A3				E	—
SCALE: 2:1	WEIGHT (kg): XXX	DRAWING NUMBER: XXX		D	—
				C	—
		SHEET: 1/1		B	—
				A	—

This drawing is our property; it can't be reproduced or communicated without our written agreement.