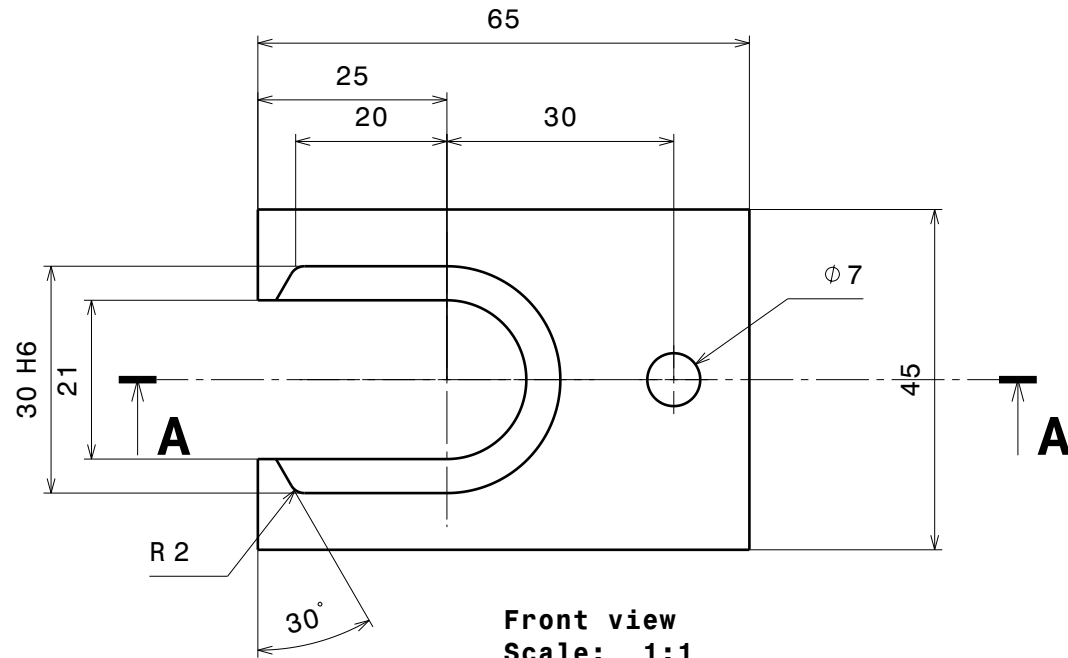


Section view A-A
Scale: 1:1



Front view
Scale: 1:1

Realisation pièce Acier