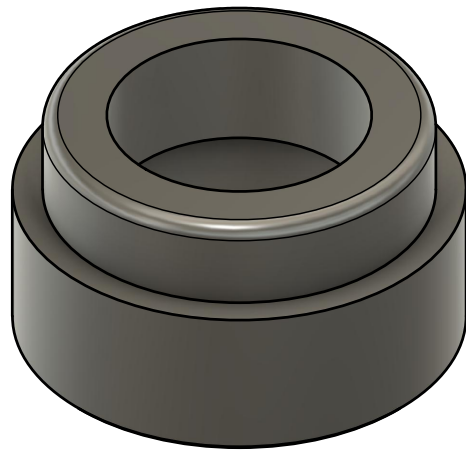
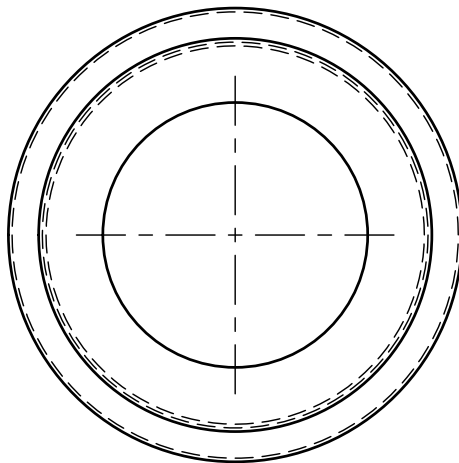


A-A (1:1)



Dept.	Technical reference	Created by manu F	02/10/2022		Approved by
		Document type	Document status		
		Title bague_adaptation_gsxr_k100	DWG No.		
		Rev.	Date of issue	Sheet 1/1	