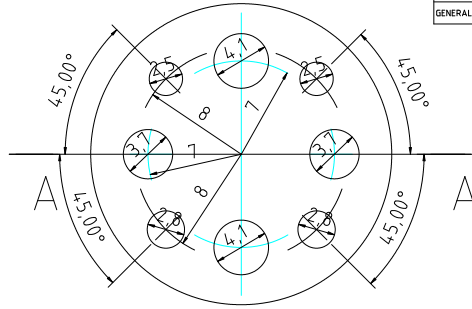


Echelle 2

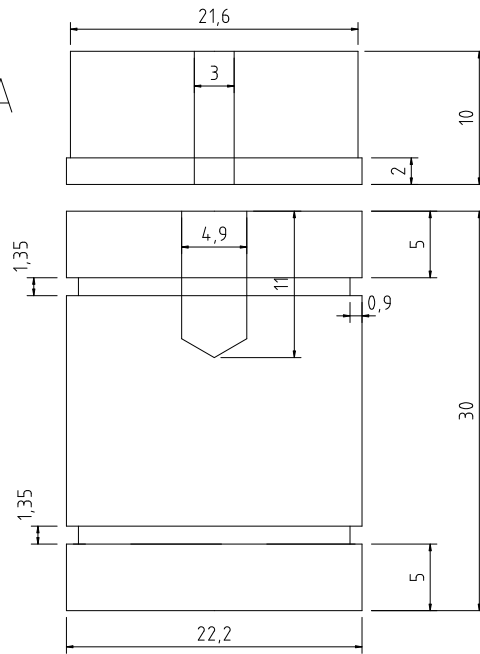
PERCAGES DEBOUCHANTS  
POUR LES DEUX PIÈCES

GENERAL TOLERANCES FOR MACHINED DIMENSIONS						
GENERAL TOLERANCES FOR LINEAR DIMENSIONS ISO 2768 FOLLOWING TABLE:						
DIMENSION (mm)	0.5 UP TO	0.5 UP TO	30 UP TO	120 UP TO	400 UP TO	1000 UP TO
	6	30	120	400	1000	2000
TOLERANCE (mm)	+0.1	+0.2	+0.3	+1.2	+2	+3
GENERAL TOLERANCES FOR RADII, CHAMFERS, ANGULAR DIMENSIONS						ISO 2768-m
GENERAL GEOMETRICAL TOLERANCES						ISO 2768-k
GENERAL SURFACE ROUGHNESS (ISO 1302)						



Quantité 4  
Matière PTFE

SECTION A-A

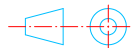


Rev.	Status	Date	Draw by	Revision Memo*	Check by	Approv by

{Verdana,\* Issued For Comments (IFC), Issued For Information (IFI), Issued For Review (IFR), Issued For Approval (IFA), Approved For {Verdana;Construction (AFC)  
\* Preliminary offer (BID), As Built (ASB)

VALAT

7, rue de l'église Phone (+33) 7.61.94.40.66  
30190 Saint-Genès-de-Malgoir's FRANCE Mail : mathieu@valat.eu



Scale :

TITLE :

Bouchons Staker

Dwg :

Rev. :

Client :

Job :

This document is the patents right of MATHIEU VALAT It cannot be communicate or copy without explicit written authorization.