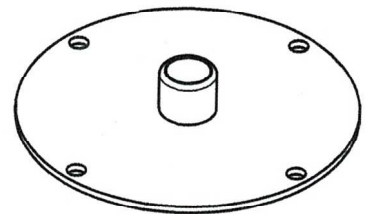
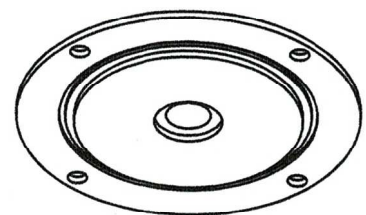
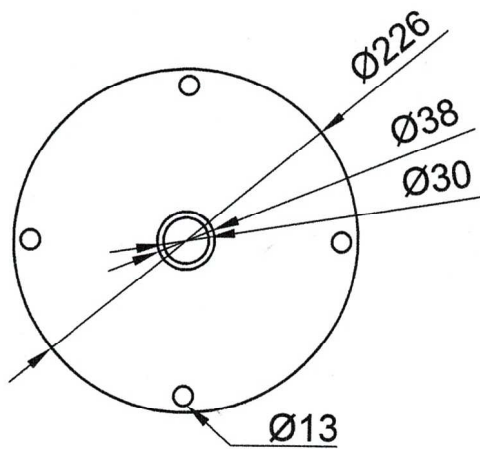
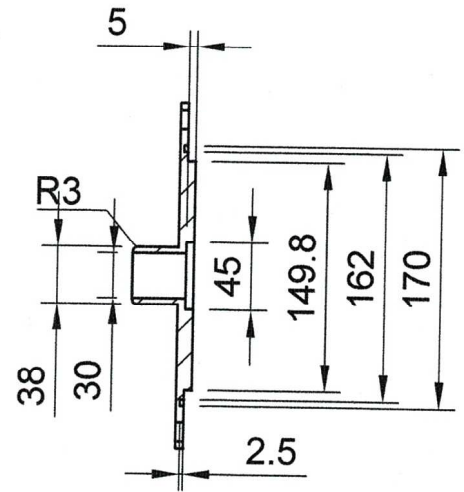


A-A (1:5)



Dept.	Technical reference	Created by <b>thierry hochstrasser 20/07/2022</b>	Approved by
		Document type	Document status
		Title <b>Couvercle</b>	DWG No.
		Rev.	Date of issue
			Sheet <b>1/1</b>