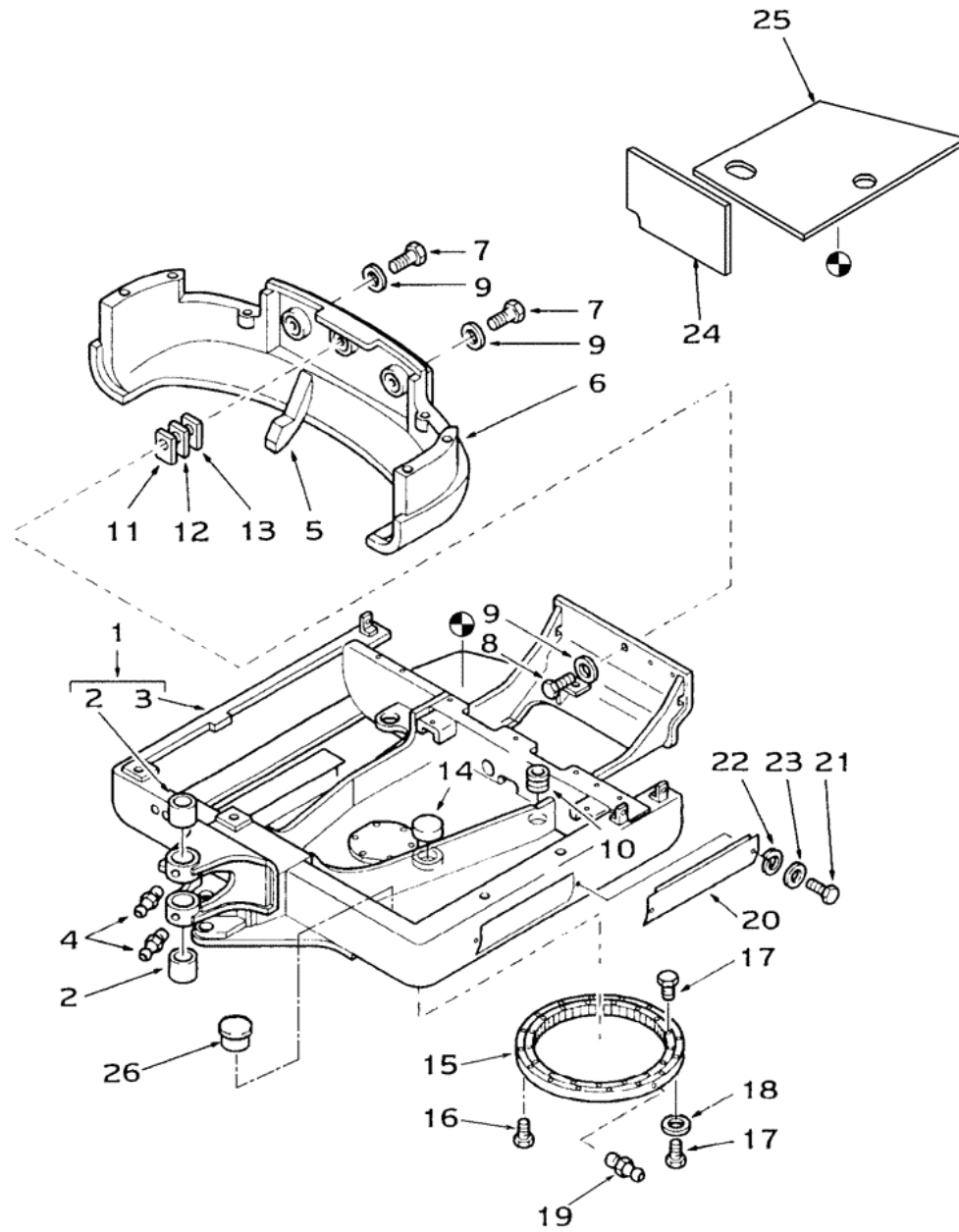


Numéro de série:

Chemin de navigation: Case CE EUR > LIGHT EQUIPMENT > MINI CRAWLER EXCAVATOR > CASE > 28 - CASE MINI-EXCAVATOR (3/94-12/00) > 12 - Chassis/Attachments > 09-003 - UPPERSTRUCTURE CHASSIS SWING COMPONENTS >



Numéro de série:

Chemin de navigation: Case CE EUR > LIGHT EQUIPMENT > MINI CRAWLER EXCAVATOR > CASE > 28 - CASE MINI-EXCAVATOR (3/94-12/00) > 12 - Chassis/Attachments > 09-003 - UPPERSTRUCTURE CHASSIS SWING COMPONENTS >

Ref	Qty	Part #	Part Description	Usage
1	1	6010498M92	BODY	Consists Of Ref. Numbers 2, 3, Replaces 6010498M91 ,, Order 6010498M95, 3009227X1 (15), 6012383M2 (1)
1	1	6010498M95	CHASSIS	Consists Of Ref. Numbers 2, 3, Replaces 6010498M93, 6010498M94
2	2	6005347M2	BUSHING	
3	1	NSS	NOT SOLD SEPARAT	Frame
4	2	47044682	LUBE NIPPLE	
5	1	6006888M1	NOISE PROTECTION	
6	1	6010462M91	BALANCER	28 DBK0005001- DBK0005374
6	1	6006900M92	BALANCER	28 DBK0005375-
7	2	6007834M1	SCREW	M20 x 80, 28 DBK0005001- DBK0005374
7	2	1442668X1	SCREW,M20 x 80mm	M20 x 80, 28 DBK0005375-
8	1	6007830M1	SCREW	M20 x 50, 28 DBK0005001- DBK0005374
8	1	1441590X1	BOLT	M20 x 50, 28 DBK0005375-
9	3	6005602M1	WASHER	
10	2	6005986M1	GROMMET	
11	X	6007382M1	SHIM	0,6 mm (0,024 in)
12	X	6009532M1	SHIM	0,4 mm (0,016 in)
13	X	6009533M1	SHIM	1,6 mm (0,063 in)

Numéro de série:

Chemin de navigation: Case CE EUR > LIGHT EQUIPMENT > MINI CRAWLER EXCAVATOR > CASE > 28 - CASE MINI-EXCAVATOR (3/94-12/00) > 12 - Chassis/Attachments > 09-003 - UPPERSTRUCTURE CHASSIS SWING COMPONENTS >

Ref	Qty	Part #	Part Description	Usage
14	1	6005715M1	GROMMET	
15	1	6006879M92	SLEWING RING	Replaces 6006879M91
16	1	6006880M1	SCREW	M12 x 1,5 x 65, 28 DBK0005001- DBK0005374
16	1	6012383M2	CAPSCREW	M12 x 1,75 x 65, 28 DBK0005375-
17	31	6009305M1	SCREW	M12 x 1,5 x 65, 28 DBK0005001- DBK0005374
17	31	3009227X1	BOLT	M12 x 1,75 x 65, 28 DBK0005375-
18	16	385363X1	WASHER	M12
19	1	47044682	LUBE NIPPLE	
20	1	6010461M91	COVER	
21	2	3007934X1	SCREW	M6 x 16
22	2	339375X1	BOLT	W6
23	2	390971X1	WASHER	M6
24	1	6010593M1	BAFFLE	
25	1	6010592M1	BAFFLE	
26	1	3521671M1	PLUG	