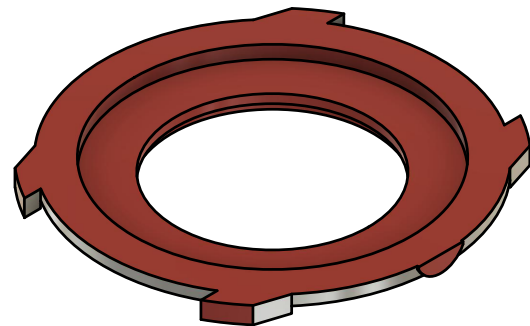
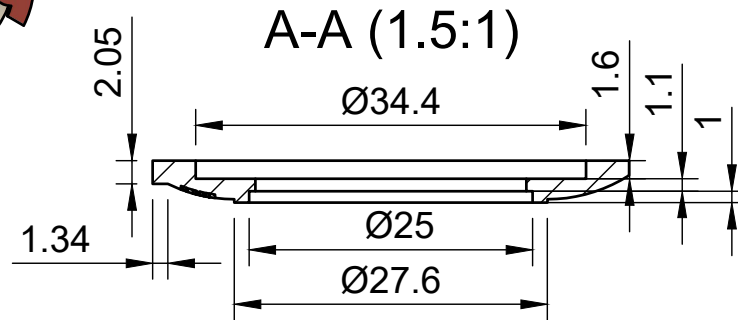
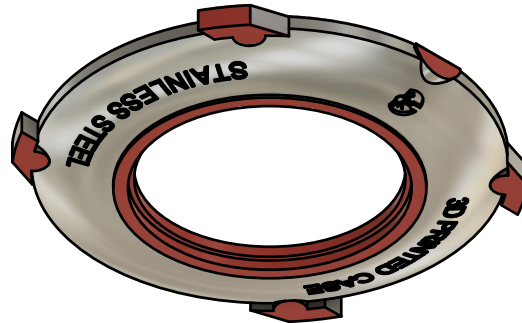


Face to be machined in red the supports must be positioned exclusively on the red faces



This plan is the property of **Tom SALLES**, it cannot be used, reproduced or communicated to third parties without authorization

Dept. /	Technical reference /	Created by tom salles	22/04/2022	Approved by Tom salles	28/04/2022
general tolerance of the metal printing process: ± 0.4 mm Size: A4 Materials: 316L Scale: 3/1		Document type Excess material plan	Document status /		
		Title Fond projet 2 surplus	DWG No. 03		
		Rev. A	Date of issue /	Sheet 1/1	