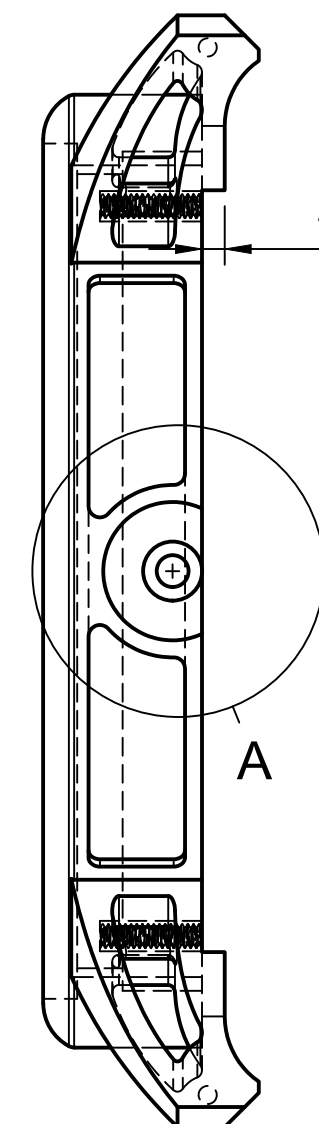
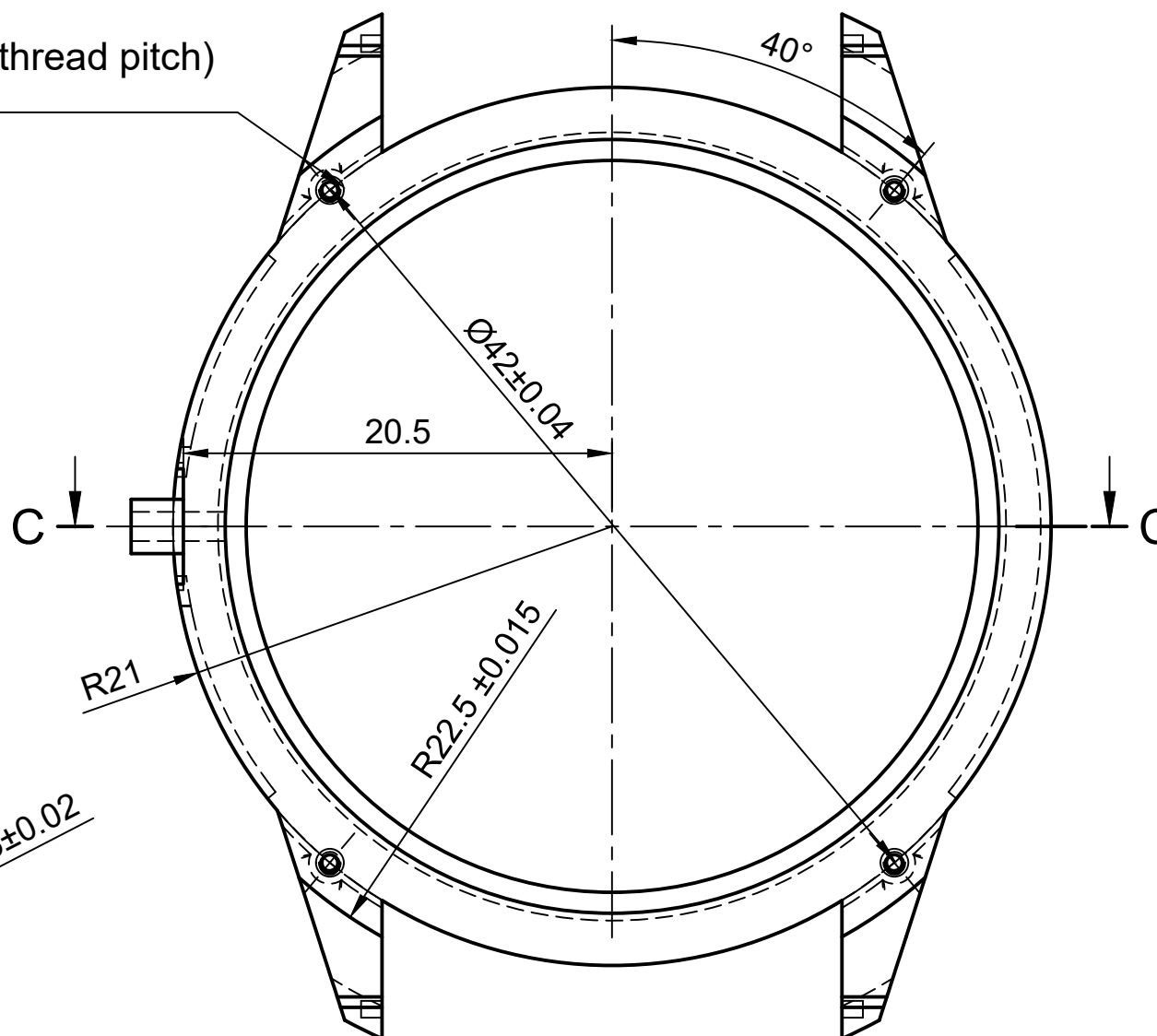
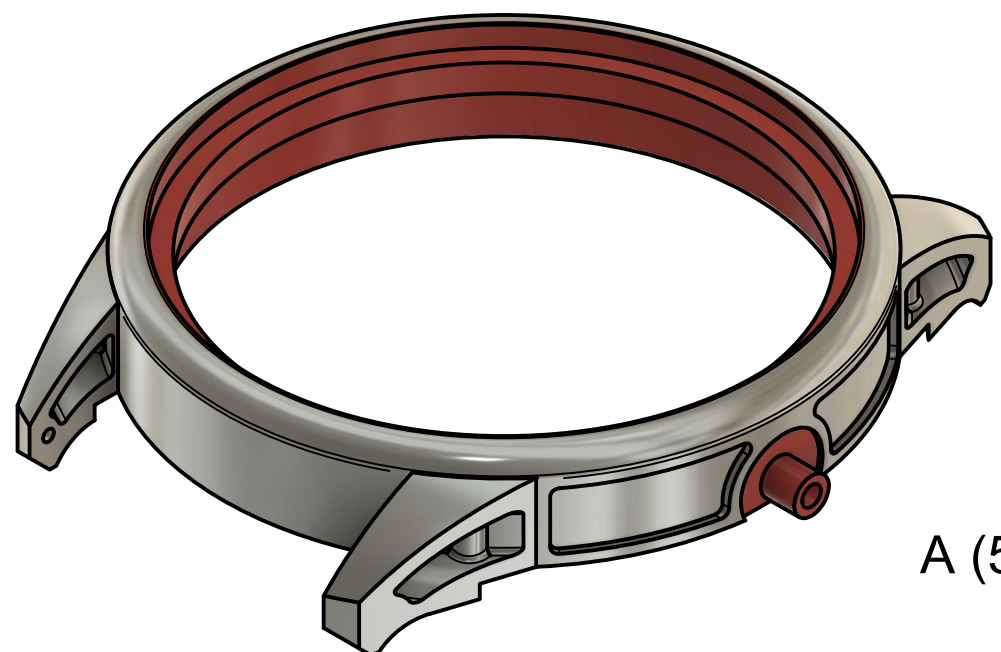
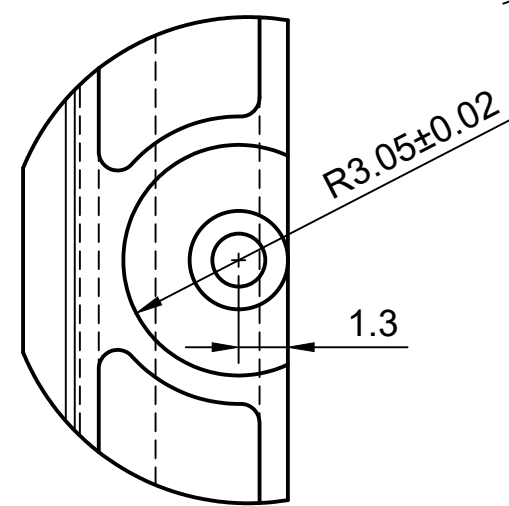


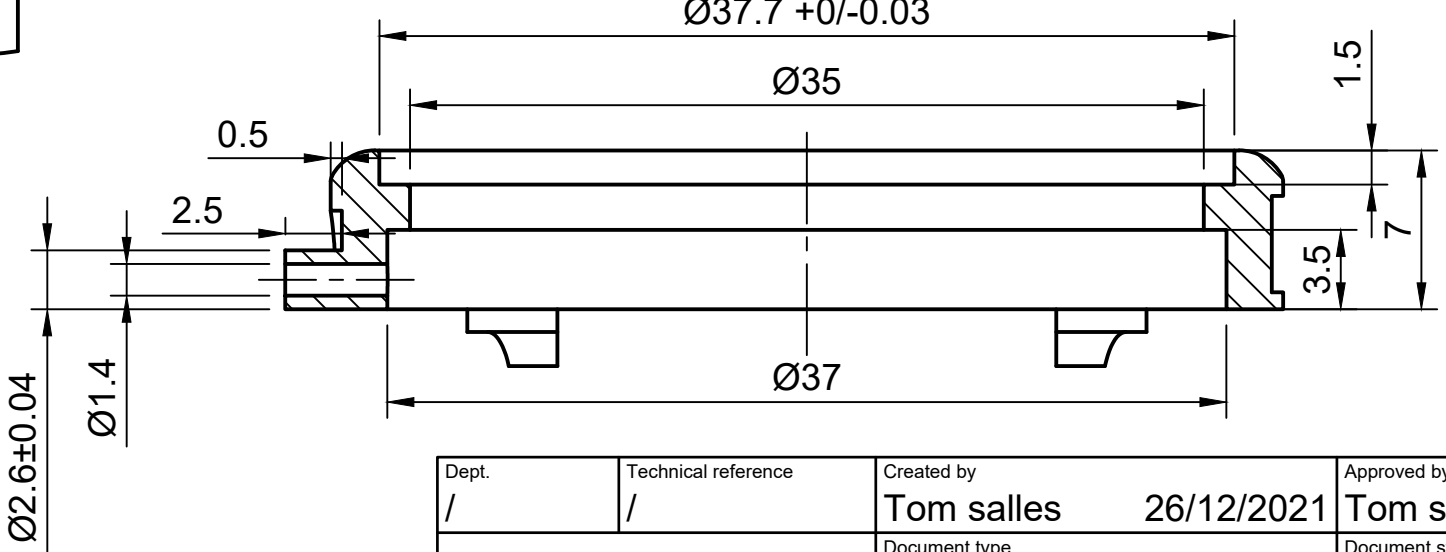
M1 x 0.25 ∇ 4.5 (metric thread pitch)



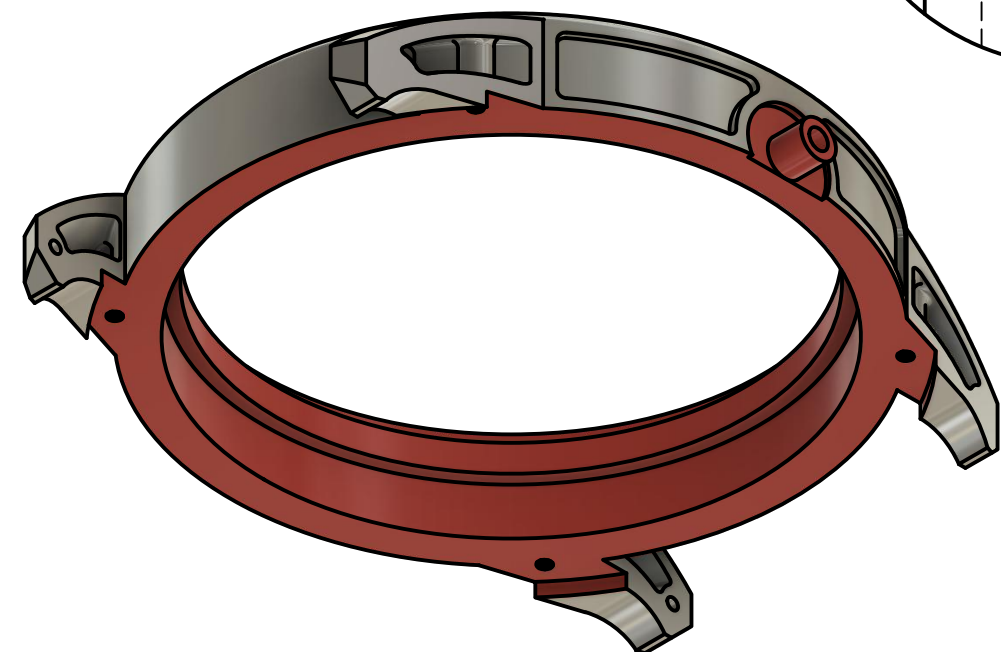
A (5:1)



C-C (3:1)
 $\varnothing 37.7 +0/-0.03$



Face to be machined in red



This plan is the property of **Tom salles**, it cannot be used, reproduced or communicated to third parties without authorization

Dept. /	Technical reference /	Created by Tom salles 26/12/2021	Approved by Tom salles 28/04/2021
Size: A3 General tolerance: ± 0.08 Materials: 316L Scale: 3/1		Document type Machining plan	Document status /
		Title Carrure projet 2	DWG No. 01
Rev. A	Date of issue /	Sheet 1/1	