

F

E

D

C

B

A

4

4

3

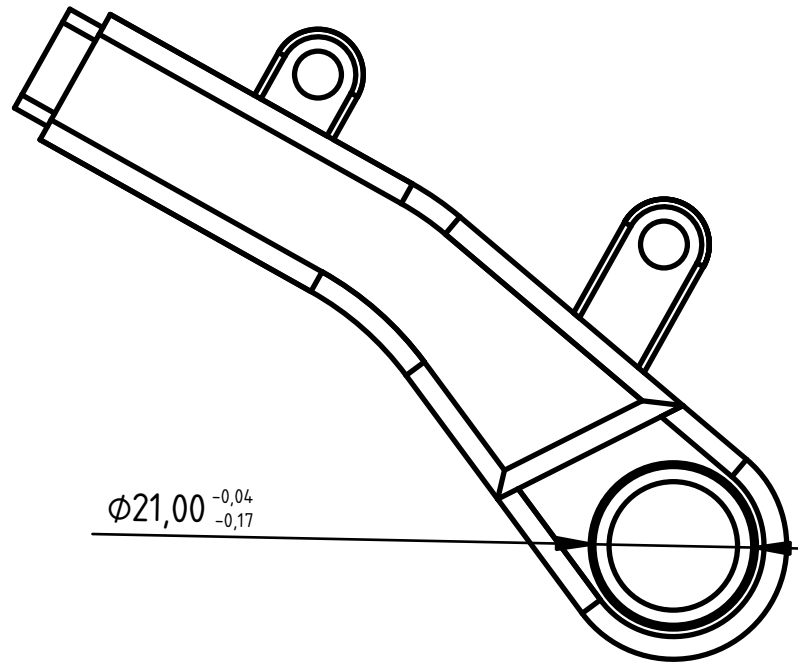
3

2

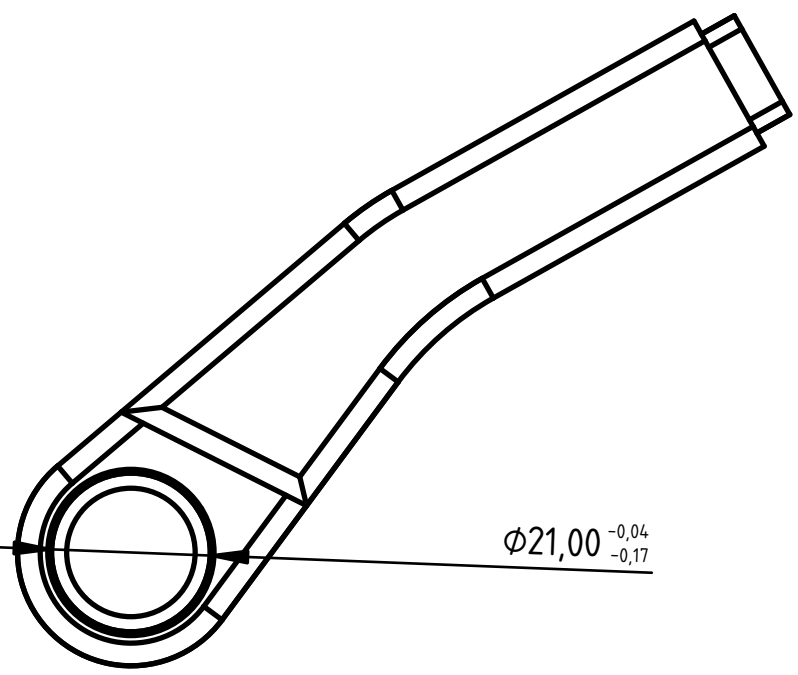
2

1

1



$\phi 21,00_{-0,17}^{-0,04}$



$\phi 21,00_{-0,17}^{-0,04}$

DESIGNED BY:				G	—
DATE:				F	—
SIZE	A4			E	—
SCALE		WEIGHT (kg)	DRAWING NUMBER	D	—
				C	—
				B	—
				A	—



This drawing is our property; it can't be reproduced or communicated without our written consent.

F

E

D