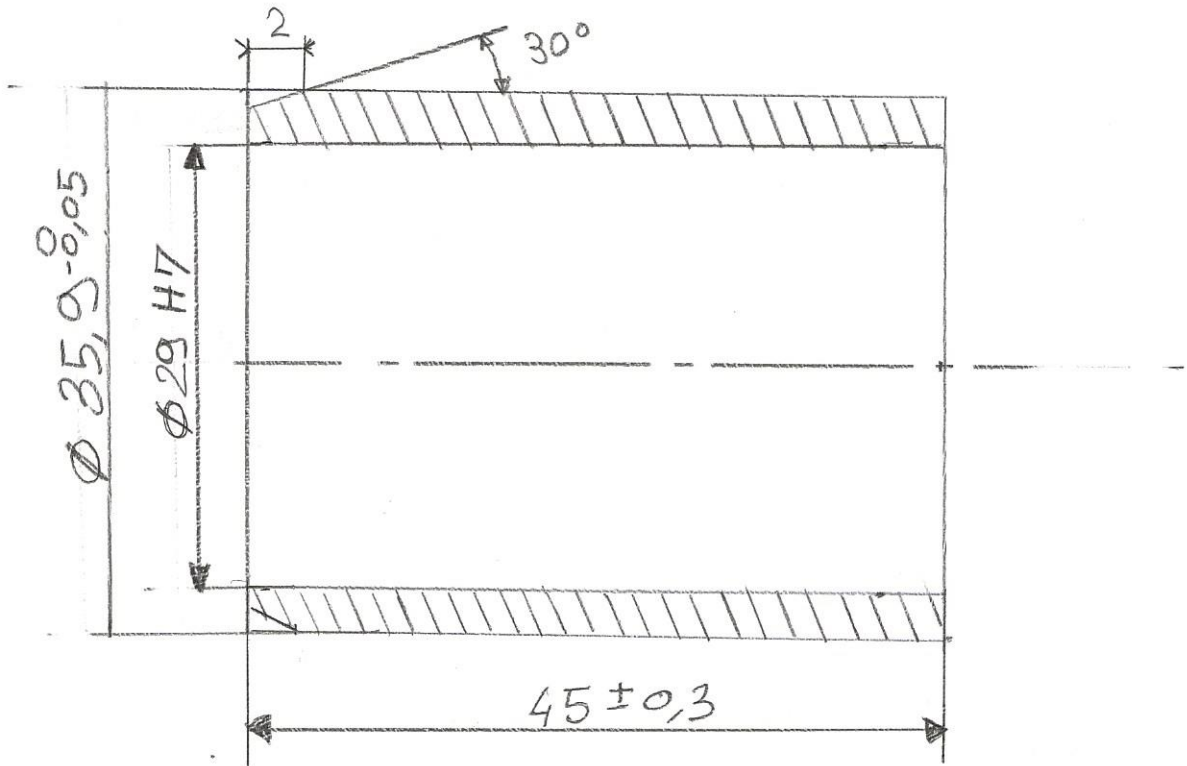


Papier Lisse

Matiere = Bronze

$Q_{re} = 2$



Chamfer angles = $0,5 \times 45^\circ$