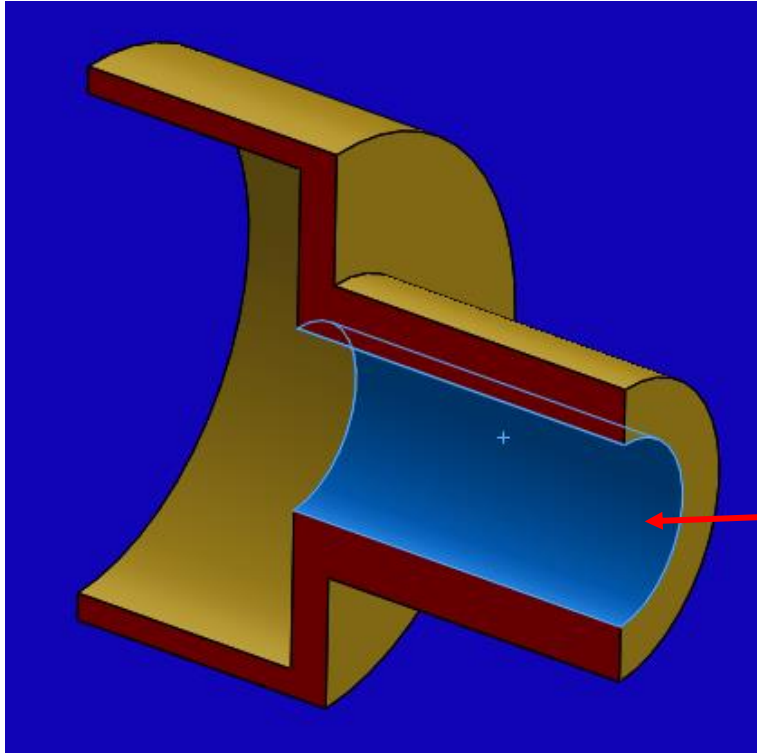


taroudage sur "connector_back" :

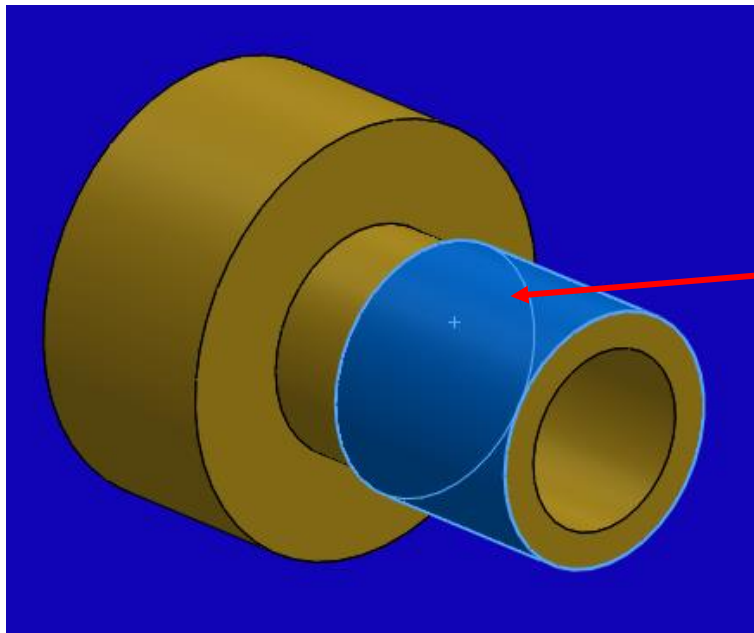


Thread size	Threads per inch	Pitch [mm]	Major diameter of the thread		Gauge length [mm]
			[mm]	[in]	
1/16	28	0.907	7.723	0.304	4
1/8	28	0.907	9.728	0.383	4
1/4	19	1.337	13.157	0.518	6
3/8	19	1.337	16.662	0.656	6.4
1/2	14	1.814	20.995	0.825	8.2

BSPT 1/4"
19 TPI

Filetage sur “connector_middle” :

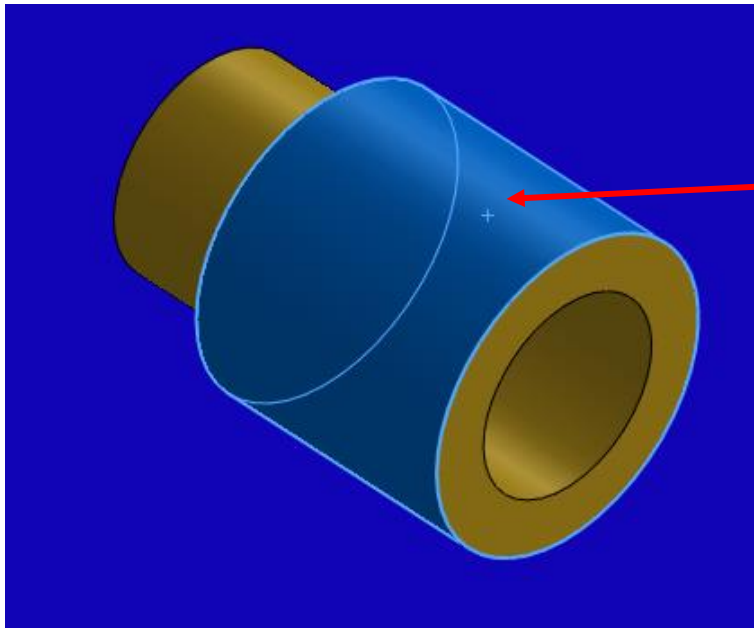
Thread size	Threads per inch	Pitch [mm]	Major diameter of the thread		Gauge length [mm]
			[mm]	[in]	
1/16	28	0.907	7.723	0.304	4
1/8	28	0.907	9.728	0.383	4
1/4	19	1.337	13.157	0.518	6
3/8	19	1.337	16.662	0.656	6.4
1/2	14	1.814	20.995	0.825	8.2



BSPT 1/2"
14 TPI

Filetage sur “connector_front” :

Thread size	Threads per inch	Pitch [mm]	Major diameter of the thread		Gauge length [mm]
			[mm]	[in]	
1/16	28	0.907	7.723	0.304	4
1/8	28	0.907	9.728	0.383	4
1/4	19	1.337	13.157	0.518	6
3/8	19	1.337	16.662	0.656	6.4
1/2	14	1.814	20.995	0.825	8.2



BSPT 1/2"
14 TPI