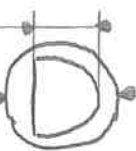


$\phi 12.63$

3.80



$\phi 11.45 \times 7$

$1.5 \times 6$

$\phi 12.30$

62.45

1.80

R0.4 x 18

$\phi 3.70$

13.70

2.20 x 5

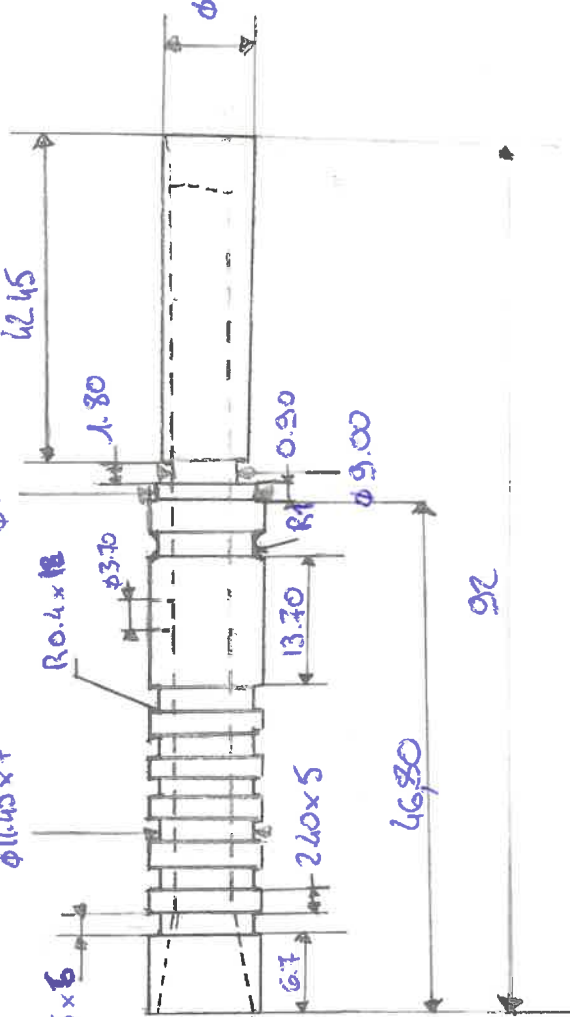
0.90

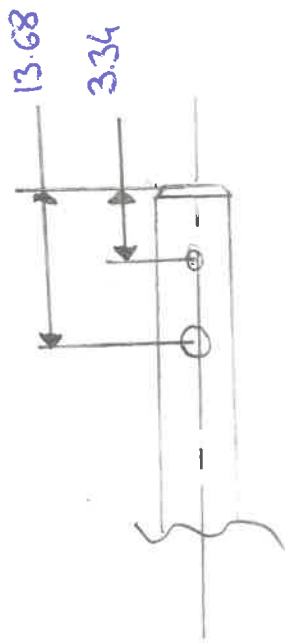
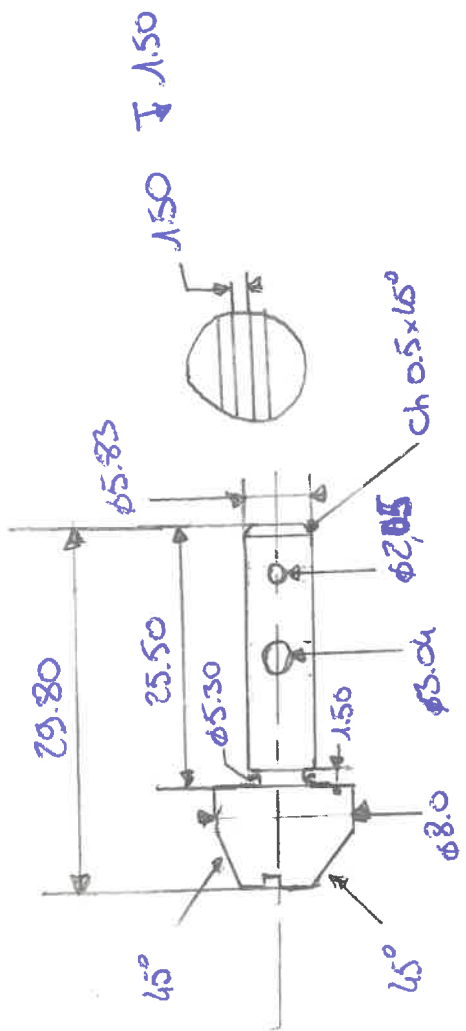
$\phi 9.00$

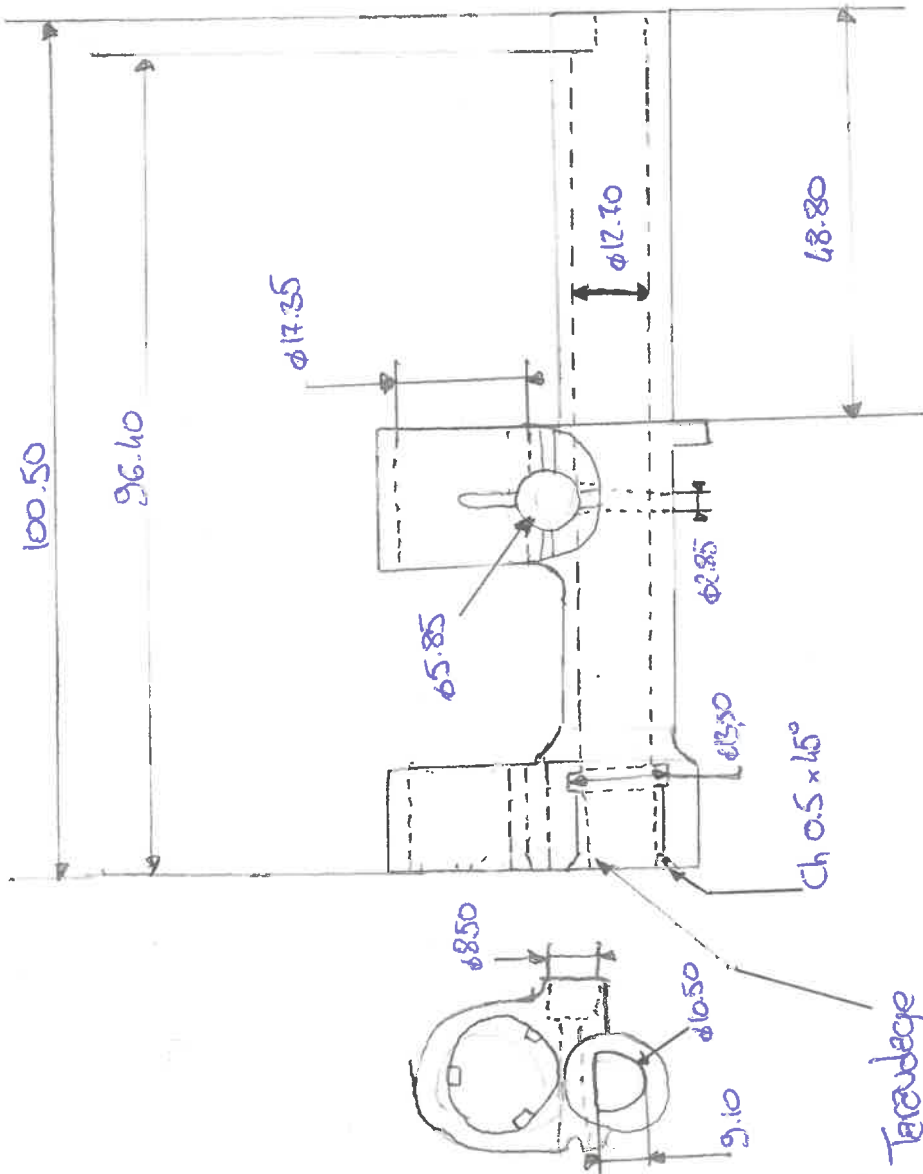
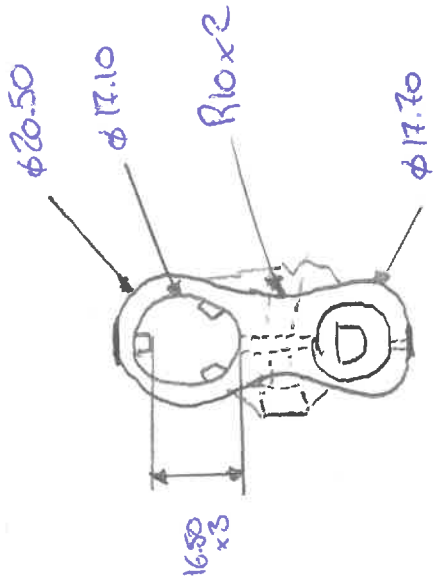
66.80

26

$\phi 10.10$







Taraudage ?