

2

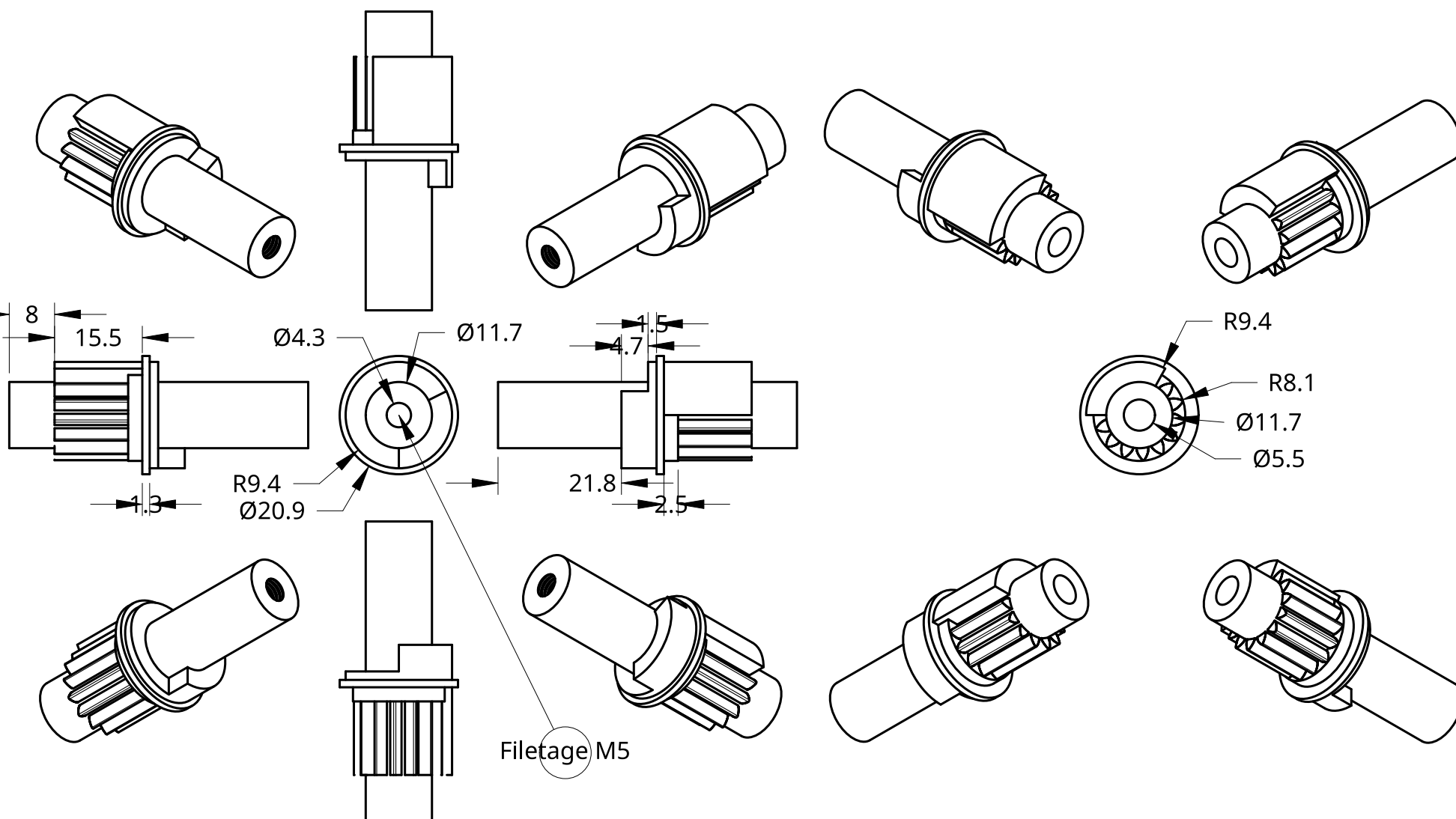
1

B

B

A

A



| | | | | | |
|--|--|----------|------------|---|---------|
| UNLESS OTHERWISE SPECIFIED, DIMENSIONS ARE IN MILLIMETERS | | NAME | DATE | | |
| ANGULAR = ± ° | | DRAWN | 03/12/2022 | | |
| SURFACE FINISH | | CHECKED | | TITLE | |
| DO NOT SCALE DRAWING | | APPROVED | | Axe à engrenage avec butée et filetage | |
| BREAK ALL SHARP EDGES AND REMOVE BURRS | | | | SIZE | REV. |
| THIRD ANGLE PROJECTION | | MATERIAL | FINISH | A | DWG NO. |
| | | | | SCALE | 1 of 1 |
| | | | | 1:1 | WEIGHT |
| | | | | SHEET | |

2

1