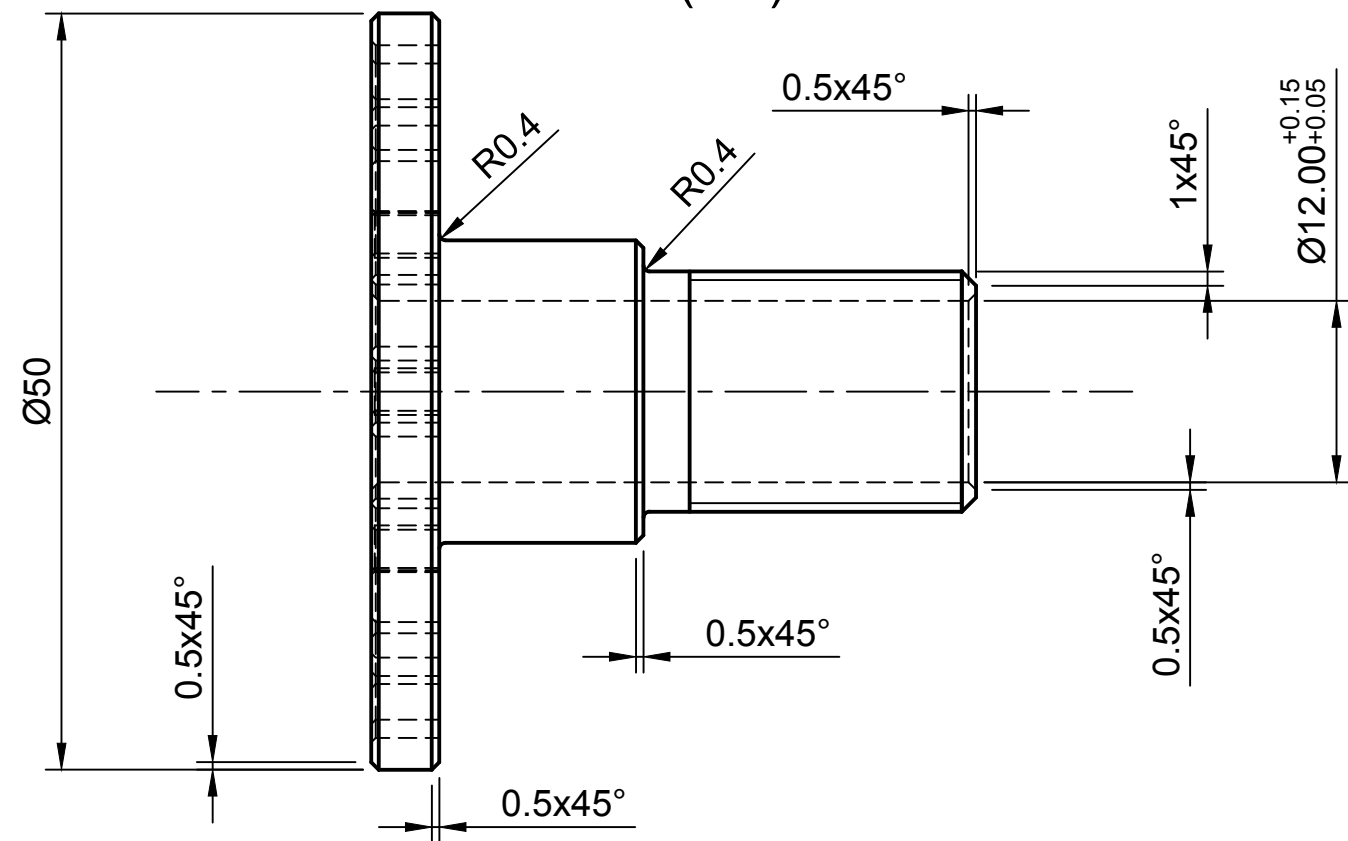


A-A (2:1)



Dept.	Technical reference	Created by MECA AXE 01/03/2022	Approved by BC 01/03/2022
Tol gen : ±0.1mm		Document type	Document status
Matière : 304L		Title Rondelle frein	DWG No. E02-017
Rev. A	Date of issue 01/03/2022	Sheet 1/1	