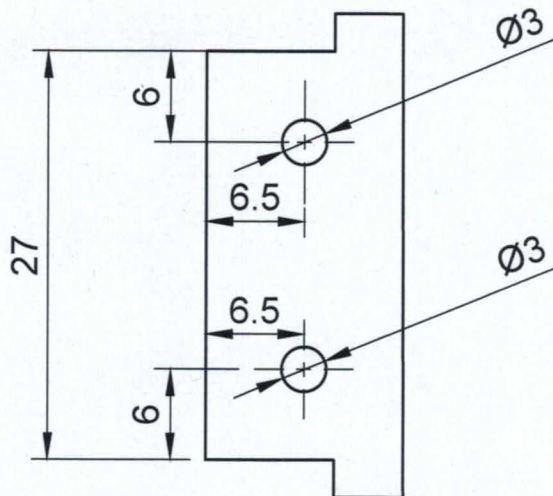
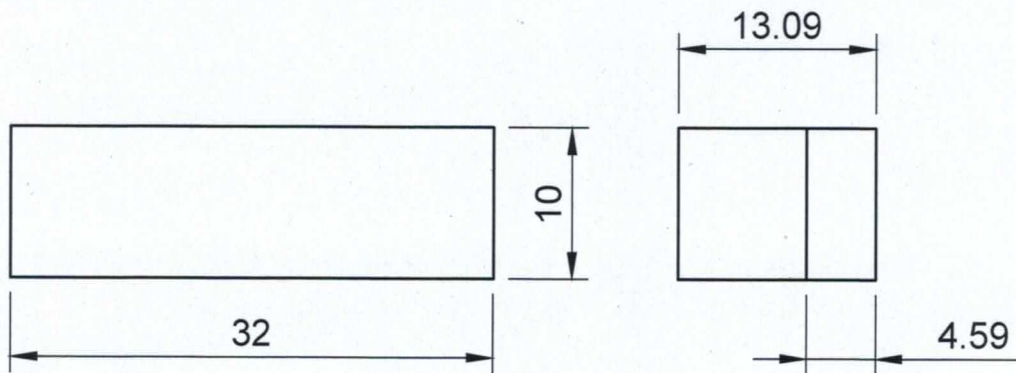
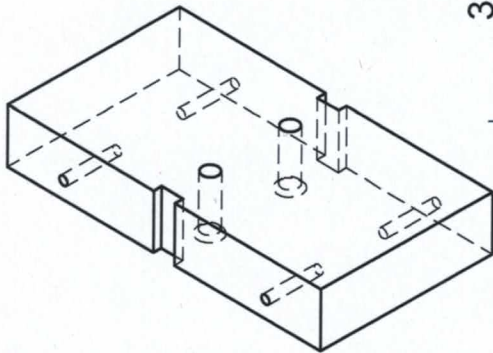
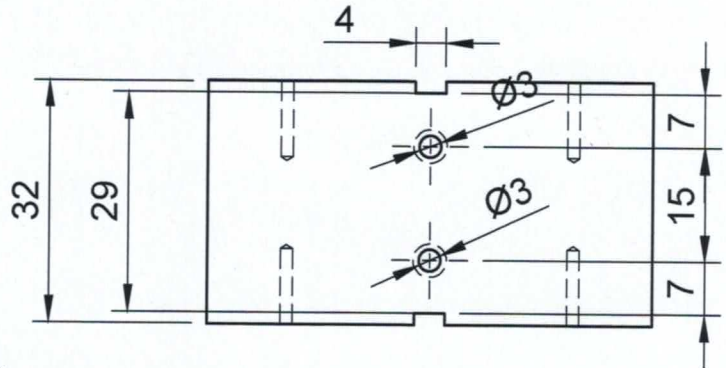
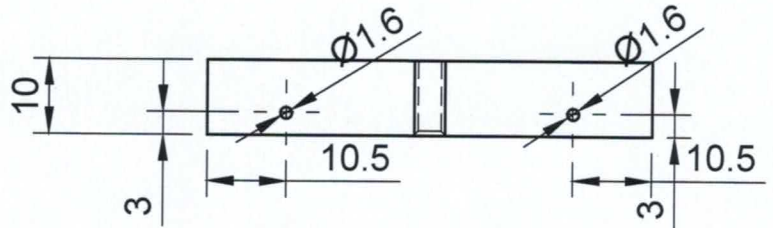
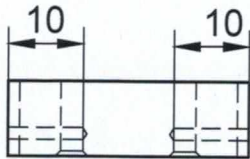
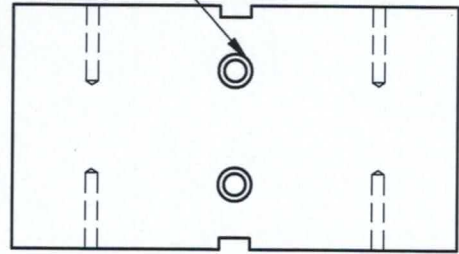


| | | | | | |
|---------------|---------------------|---------------------------------------|-----------------|---------------------|--|
| Dept. | Technical reference | Created by EL | 26/02/2022 | Approved by | |
| Côtes +/- 0,1 | | Document type | Document status | | |
| | | Title Masselotte haute BR01 | DWG No. | | |
| | | Rev. | Date of issue | Sheet 1/1 | |



| | | | | | |
|---------------|---------------------|---|------------------------------------|---------------------|-------------|
| Dept. | Technical reference | Created by EL | 26/02/2022 | | Approved by |
| Côtes +/- 0,1 | | Document type | | Document status | |
| | | Title Masselotte intermediaire BR01 | | DWG No. | |
| | | Rev. | Date of issue 26/02/2022 | Sheet 1/1 | |

Ø4.4 x 90°
Ø3 x 10



| | | | | | |
|---------------|---------------------|--------------------------------------|-----------------|---------------------|--|
| Dept. | Technical reference | Created by EL | 26/02/2022 | Approved by | |
| Côtes +/- 0,1 | | Document type | Document status | | |
| | | Title Masselotte Base BR01 | DWG No. | | |
| | | Rev. | Date of issue | Sheet 1/1 | |