

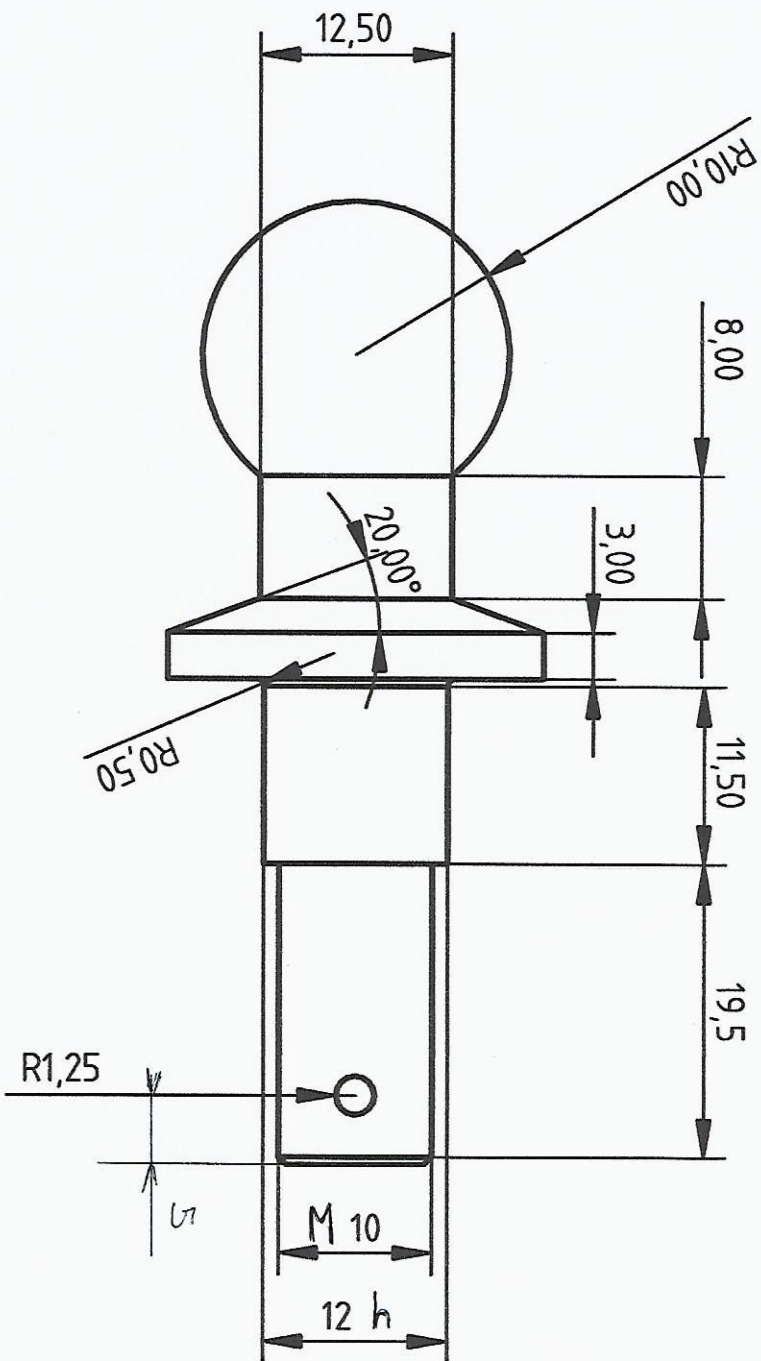
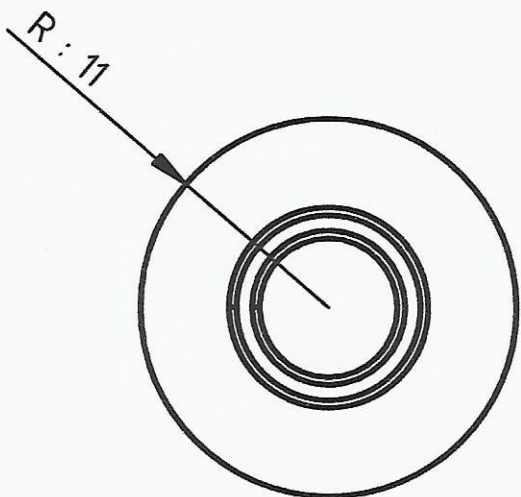
1

2

3

4

Tolerances ±0,1



DESIGNED BY:
 Designed by Name
 DATE:
 Date

Title
 Subtitle

SIZE
A4

SCALE
Scale

WEIGHT (kg)
Weight

DRAWING NUMBER
Drawing number

SHEET

Sheet



This drawing is our property. It can't be reproduced or communicated without our written consent.

F

E

D

A

F

E

D

C

B

A