

F

E

D

C

B

A

4

4

3

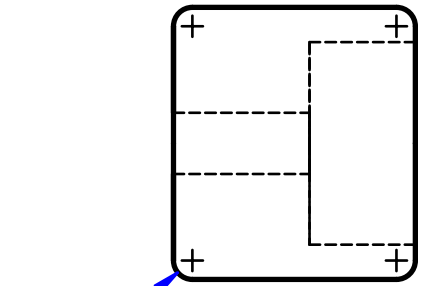
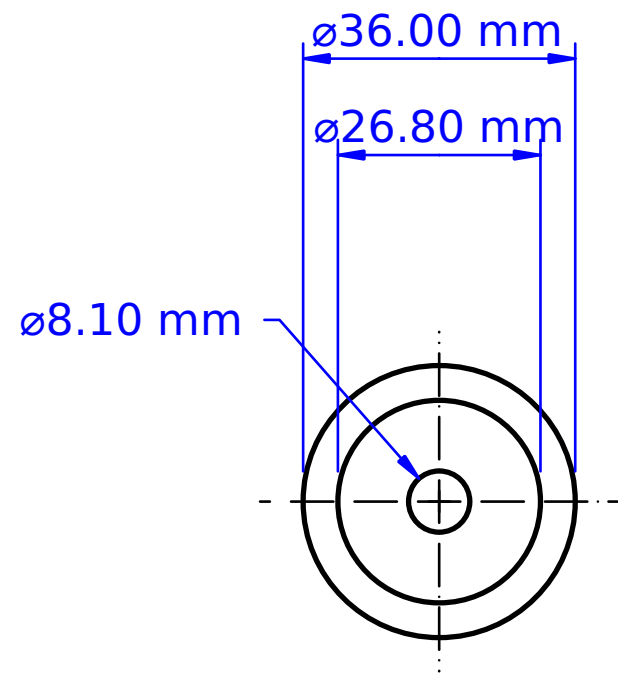
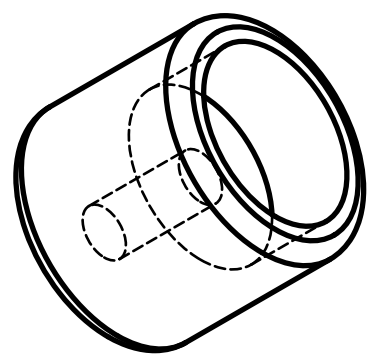
3

2

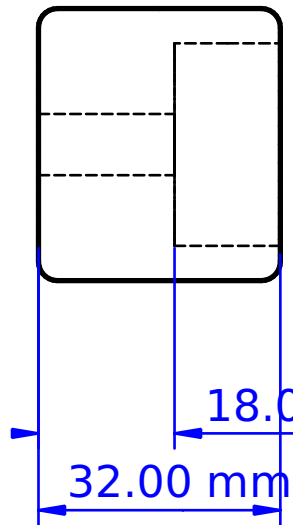
2

1

1



R2.50 mm



18.00 mm

32.00 mm

DESIGNED BY: BEAU P.		Roulette guide longitudinal		G	—
DATE: 06/02/2022		Partie mobile		F	—
SIZE A4				E	—
SCALE				D	—
WEIGHT (kg)	DRAWING NUMBER	C	—	B	—
A.D.U.	A.D.U. PaP_100_v1.00	SHEET	1/1	A	—
This drawing is our property; it can't be reproduced or communicated without our written consent.					

F

E

D

1

1