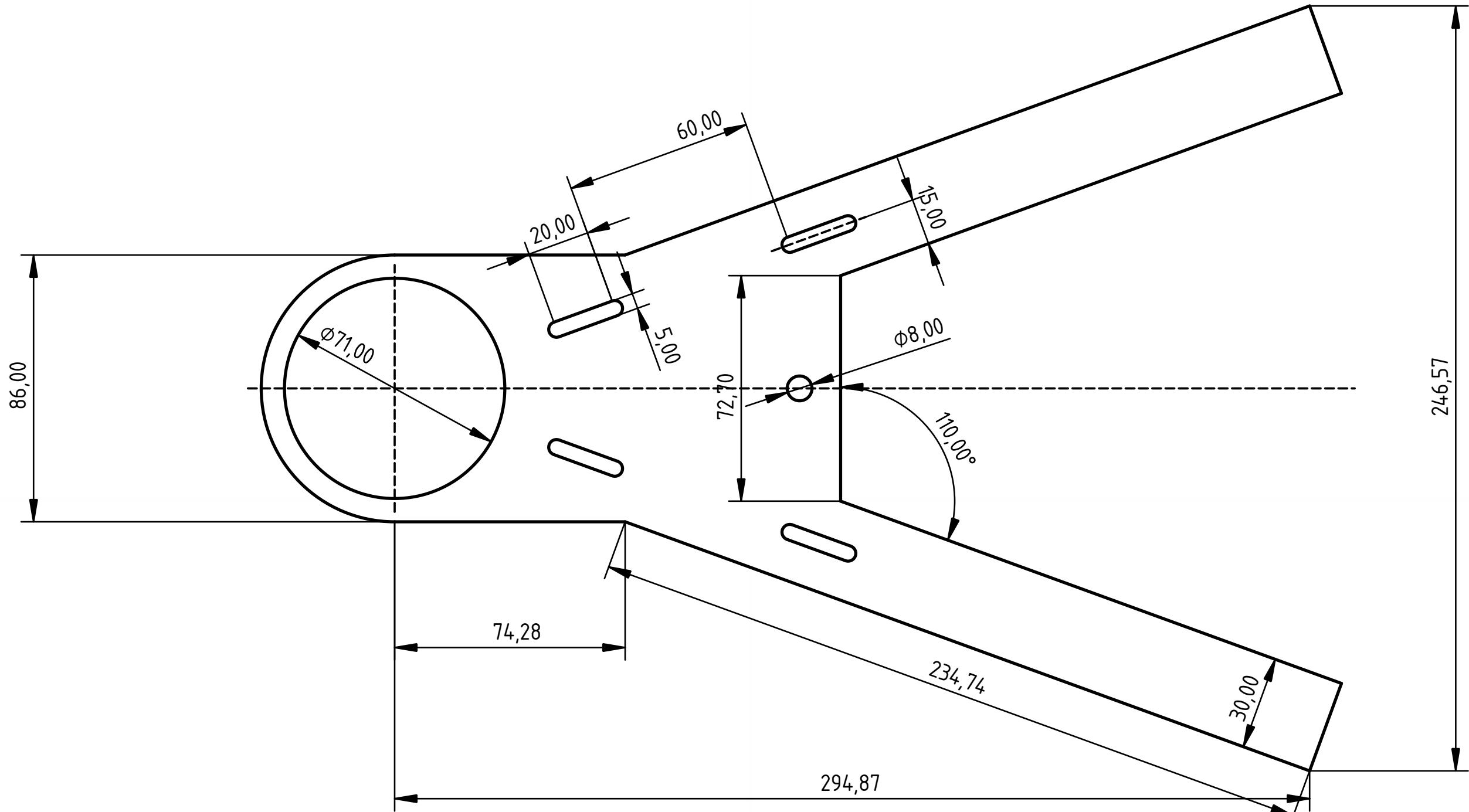


2

1

B

B



A

A

2

1

		Company Name 1234 Main St		
		Drawing Title 1 Drawing Title 2 Drawing Title 3		
Drawn:	Drawn By			
Checked:	Checked By			
Approved:	Approved 1	<b>B</b>	Code	Drawing Number
Approved:	Approved 2	Scale	Weight	Sheet n of m