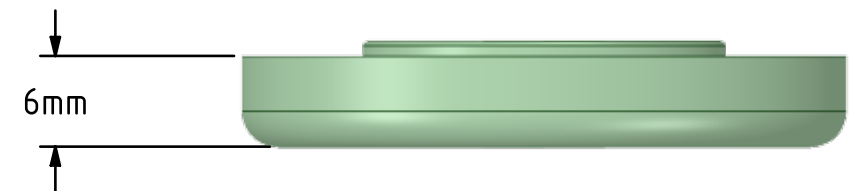
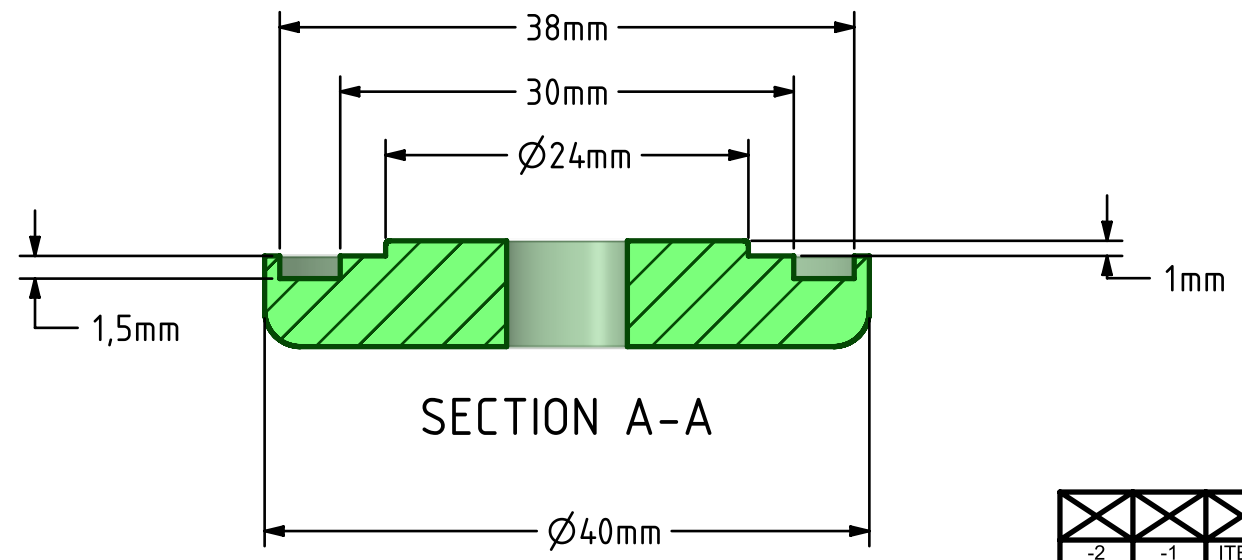
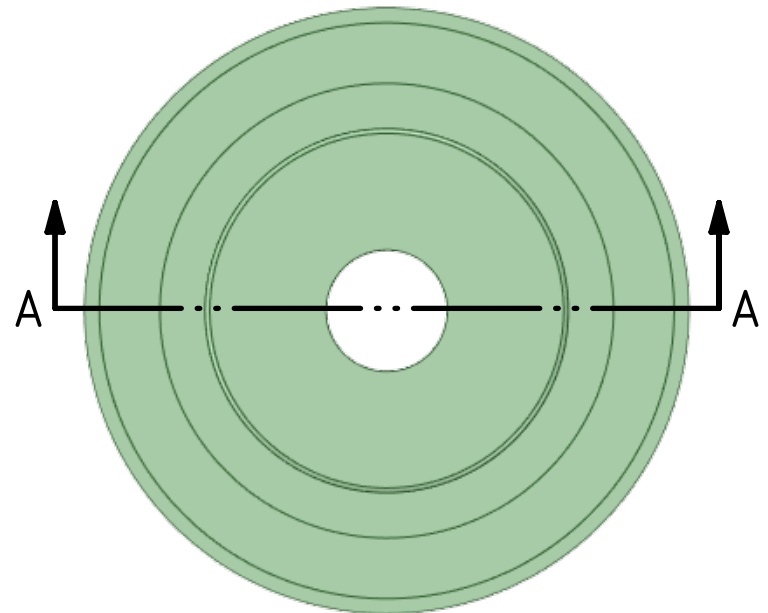


REVISION HISTORY

REV	DESCRIPTION	INCORP BY	DATE	CHECKED

NOTES:



QTY REQD	ITEM NO.	PART OR IDENTIFYING NO.	NOMENCLATURE OR DESCRIPTION
-2	-1		

PARTS LIST						
INIT	APPROVALS	DATE	INIT	APPROVALS	DATE	

THIRD ANGLE PROJECTION	CONTRACT NO.		MATERIAL
			FINISH
			TREATMENT
	NEXT ASSY	USED ON	SIMILAR TO
	APPLICATION		

SIZE B	CAGE CODE	DWG NO.	REV
SCALE		SHEET	

