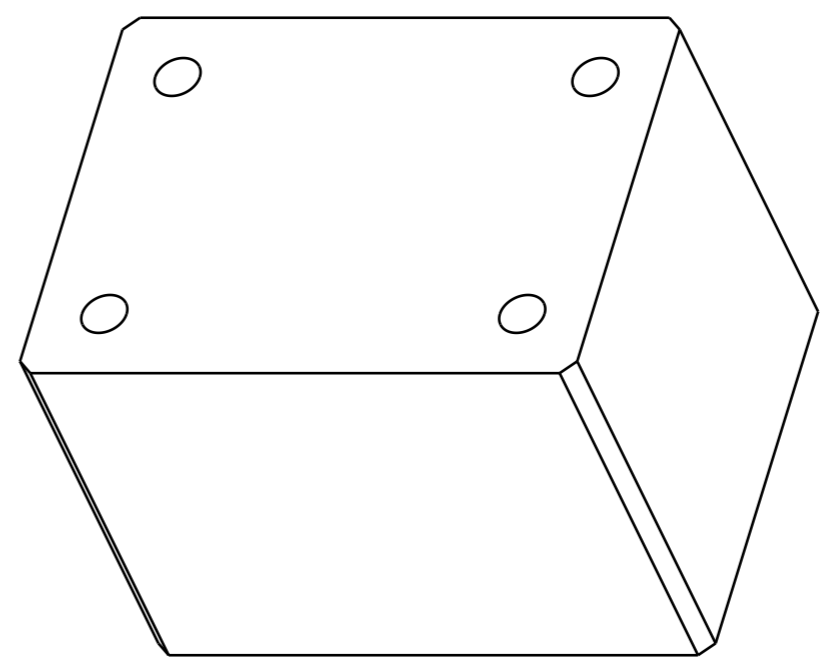
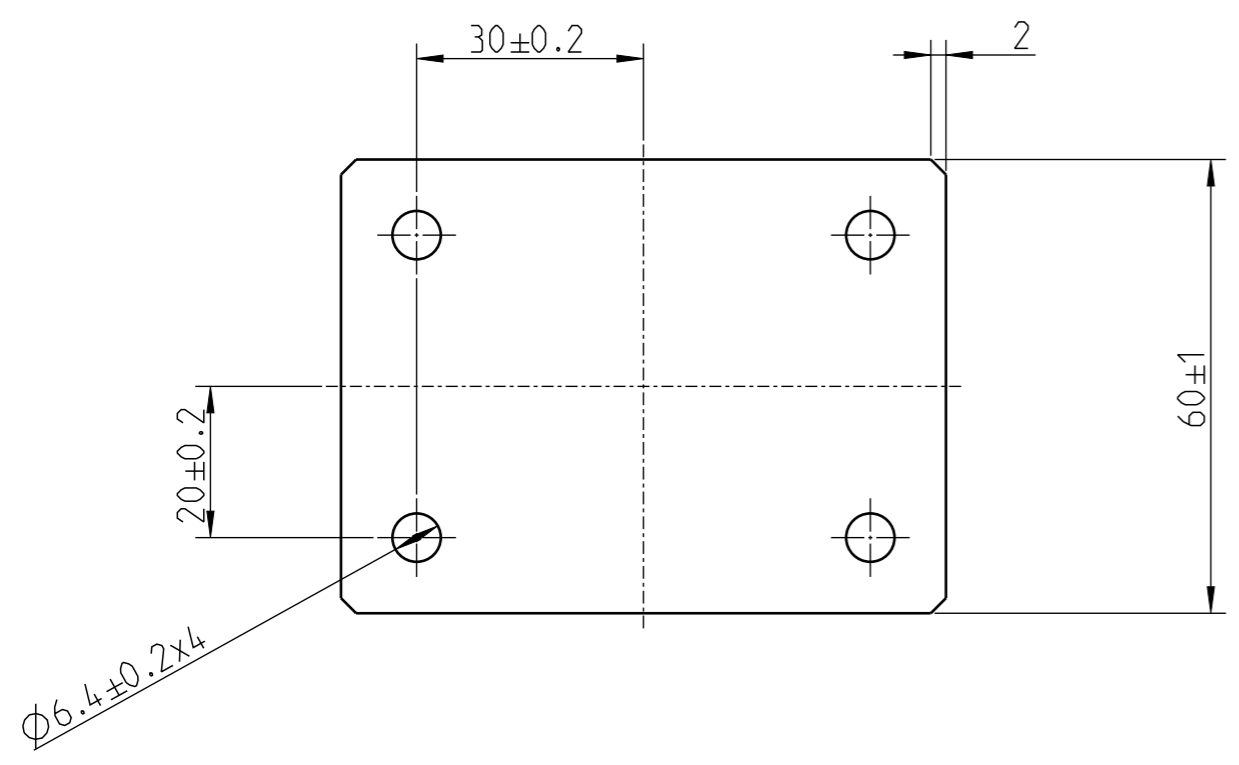
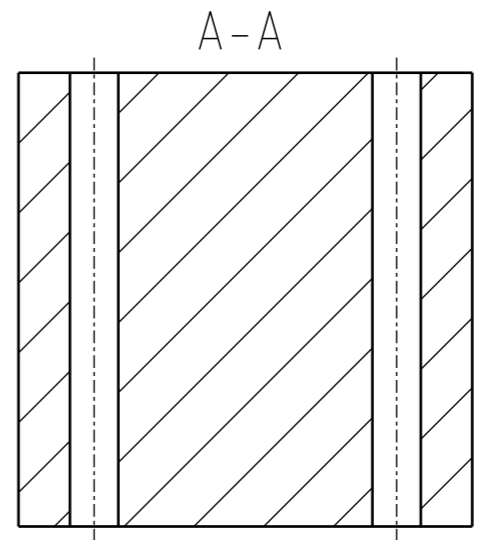
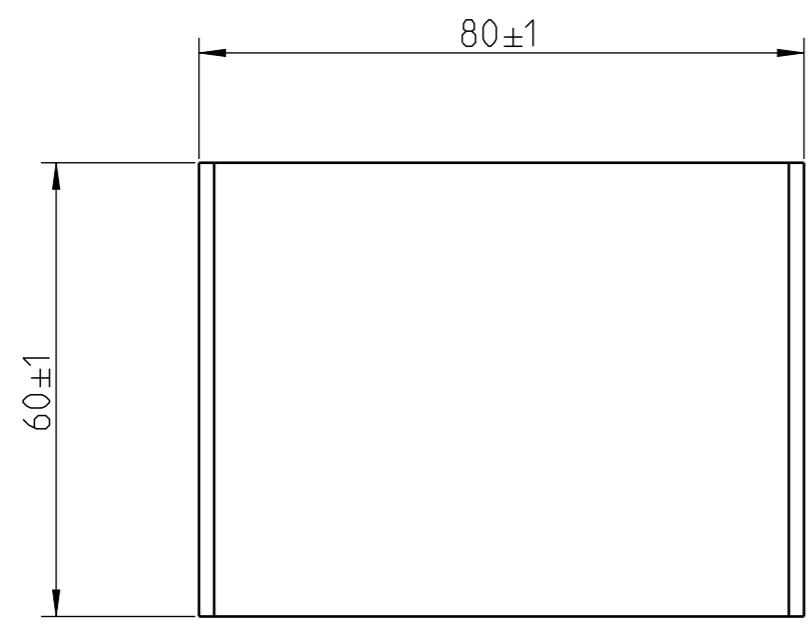


© Alle Rechte bei AVENTICS S.A.S., eine Tochterfirma der Emerson Electric Co., auch für den Fall von Schutzrechtsanmeldungen. Jede Verfügungsbefugnis, wie Kopier- und Weitergaberecht, bei uns.

© This document, as well as the data, specifications and other information set forth in it, are the exclusive property of AVENTICS S.A.S., a subsidiary of Emerson Electric Co. It may not be reproduced or given to third parties without its consent.



all linear dimensions in/
TOUTES COTES LINEAIRES EN mm

State		Project No.		Division		Item No.				
Design				AVFR						
By	FPE2BNV			ECN-Descript.						
Date	2022-01-28									
	Drawn	Checked	Approved	ECN created	ECN appr.	ECN Loc.	ECN Number			
Material/						Missed details				
Material Details						From				
ALUMINIUM										
EN573 AW-6082 [AlSi1MgMn]										
Treatment										
Language	Syst.	Weight			SUPPORT					
EN/FR	PE	739.6 g			SUPPORT					
	Unit	Scale	EMERSON 74131 BONNEVILLE FRANCE		FMC 0193035		Doc.type	Ind.	Format	Sheet
	mm	1:1			Repl. for		Tolerance	N/A		
Ref. No.										

/ / FMC0193035 / AA.1 / FMC0193027 / PART / AA.1
 &pic_wm_number;d / / FMC0193035 / AA.1 / FMC0193027 / PART / AA.1