



A

7

Filetage
28x3

159

B

B

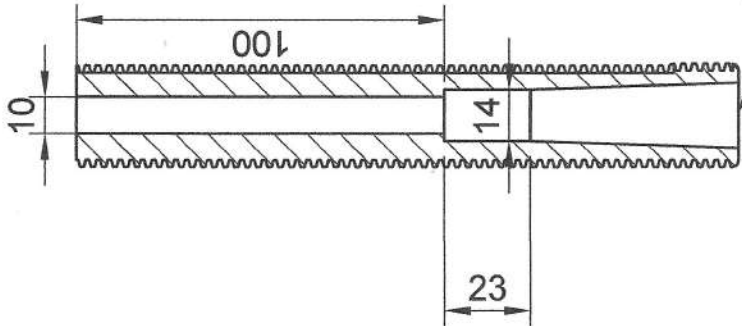
$\phi 7$

28

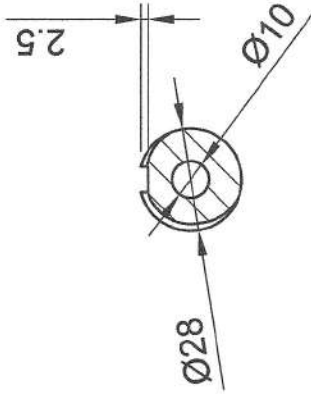
A



A-A (1:2)



B-B (1:2)



Dept.

Technical reference

Created by

Jean-Claude Lequesne 23/01/2022

Approved by

Document status

Document type

Title

Axe de perçage tour à bois

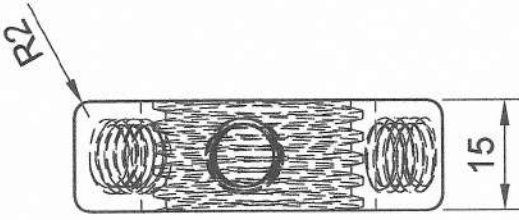
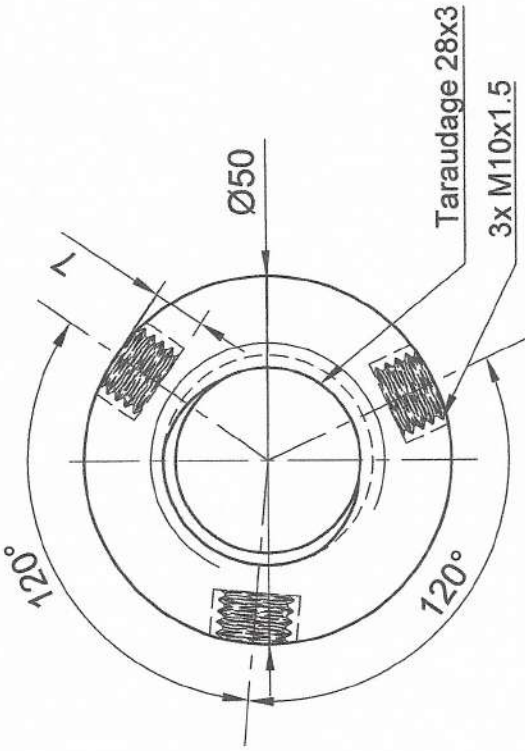
DWG No.

Rev.

Date of issue

Sheet

1/1



Dept.	Technical reference	Created by Jean-Claude Lequesne 23/01/2022	Approved by
		Document type	Document status
		Title Bague Axe de perçage tour à bois	DWG No.
		Rev.	Date of issue
			Sheet 1/1