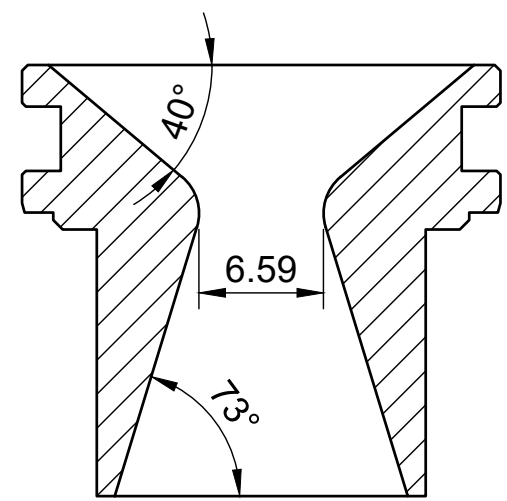


A-A (2.5:1)



Dept.	Technical reference	Created by Martin vasseur 18/01/2022	Approved by	
		Document type	Document status	
		Title tuyère	DWG No.	
		Rev.	Date of issue	Sheet 1/1