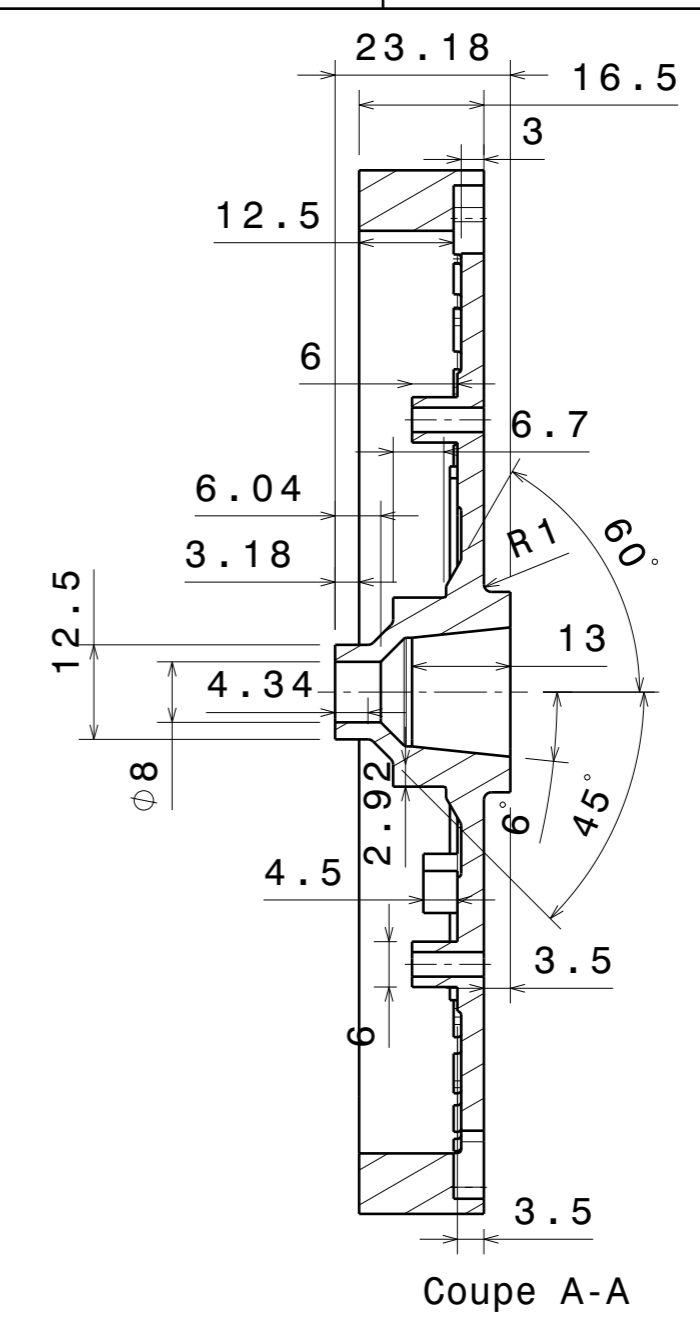


Vue de dos  
Echelle : 1:2



DESIGNED BY: <b>Pierre BAUDRY</b>				I	-
DATE: <b>05/01/2021</b>				H	-
CHECKED BY: <b>XXX</b>				G	-
DATE: <b>XXX</b>				F	-
SIZE: <b>A3</b>		<b>PV3e</b>		E	-
SCALE: <b>1:1</b>	Matière: <b>C50</b>	DRAWING NUMBER: <b>Volant Moteur 30-2</b>	SHEET: <b>1/1</b>	D	-
This drawing is our property; it can't be reproduced or communicated without our written agreement.				C	-
				B	-
				A	-