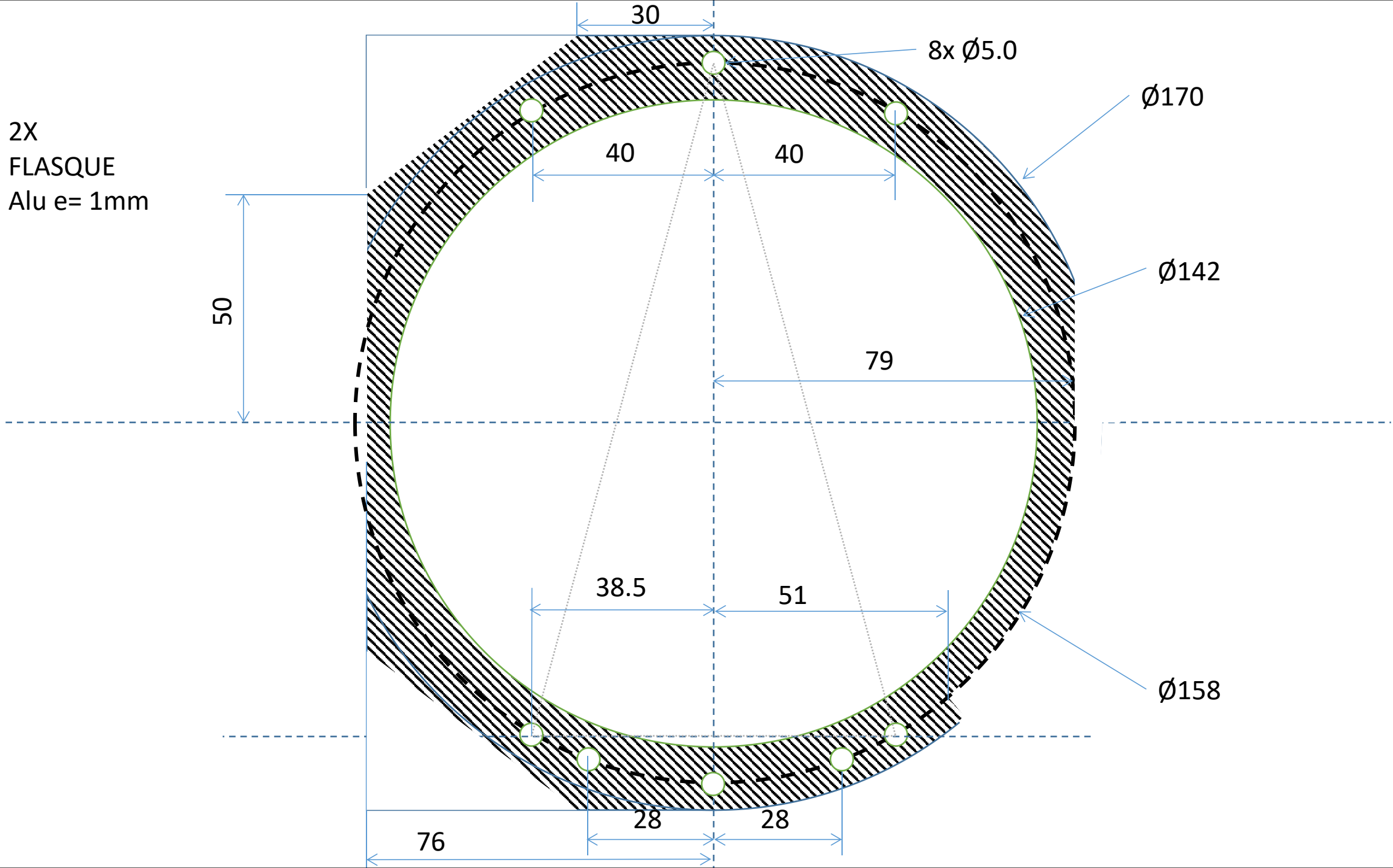


2X
FLASQUE
Alu e= 1mm



2X
Support
Alu e= 2mm

