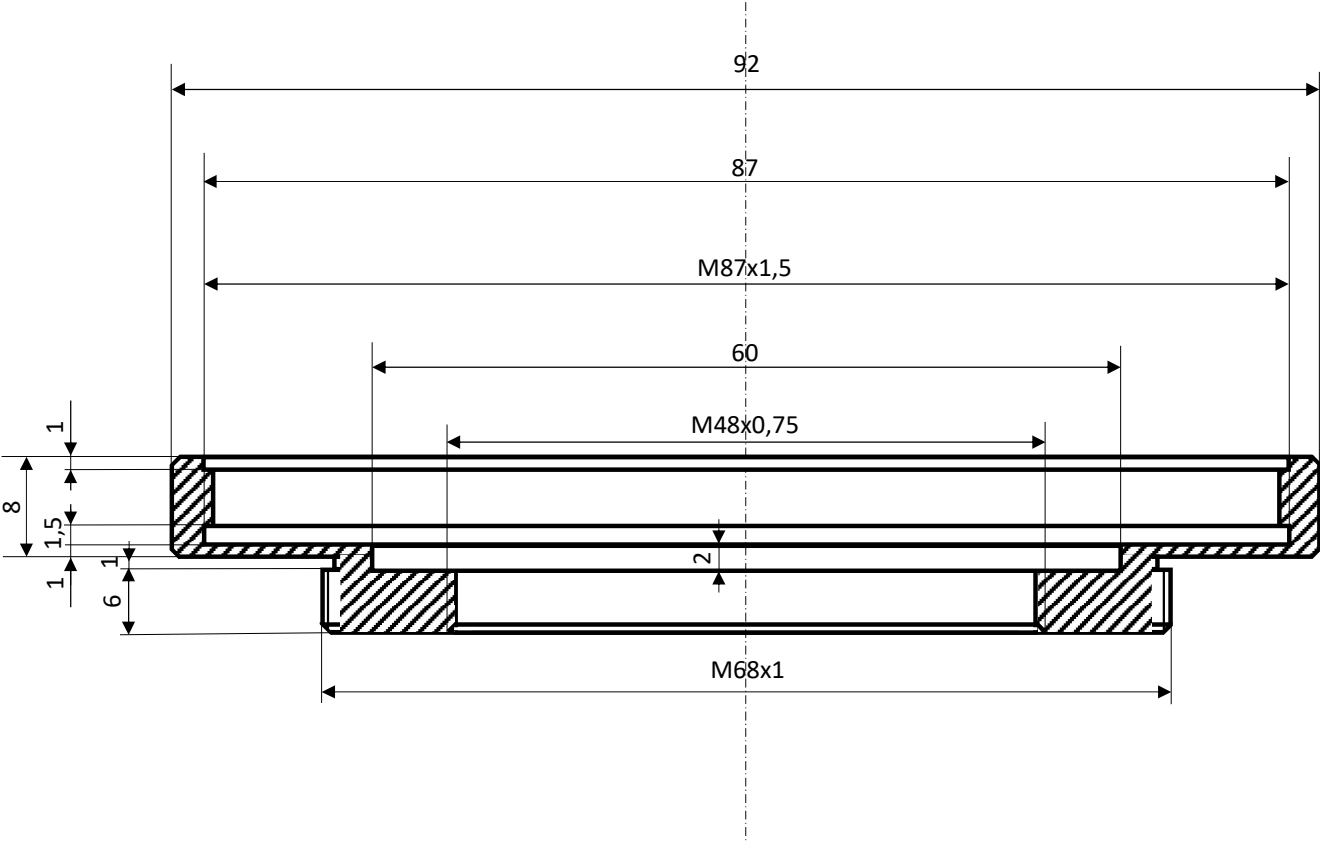


Dimensions in mm
Tolerances +/- 0.1mm
Matte black anodized



RASA 8 Clamp ring compatible with Baader Tilt Adaptator M68