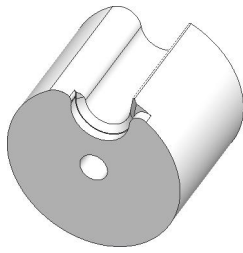


1 2 3 4

F

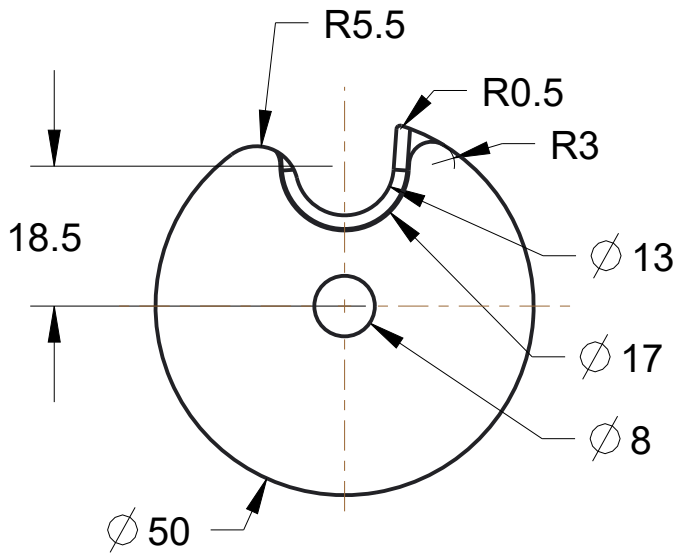
F



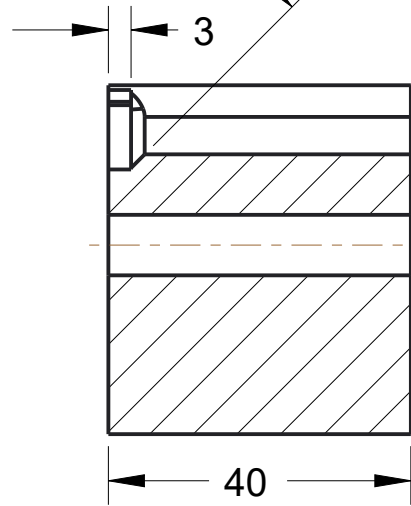
ECHELLE 1:2

E

E



CH 45°x1.8



PTFE

B

B

A

A

DRAWN BY	DATE
CHECKED BY	DATE
APPROVED BY	DATE

THIS DOCUMENT IS SUPPLIED IN CONFIDENCE. NO REPRODUCTION OF THIS DOCUMENT IN PART OR IN WHOLE OR THEREON OF THE ITEMS SHOWN MAY BE MADE WITHOUT THE COPYRIGHT OWNERS WRITTEN PERMISSION.

SCALE 1:1 SHEET 1 OF 1

UNLESS OTHERWISE SPECIFIED ALL DIMENSIONS ARE IN MILLIMETERS. TOLERANCES ARE +/- 0.1MM +/- .1°

TITLE

DO NOT SCALE

PROJECT

MODEL NAME
CAME

ISSUE

1 2 3 4