

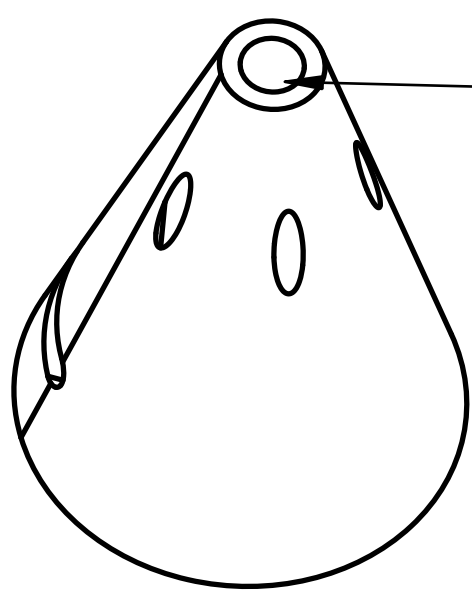
F E D C B A

4

3

2

1



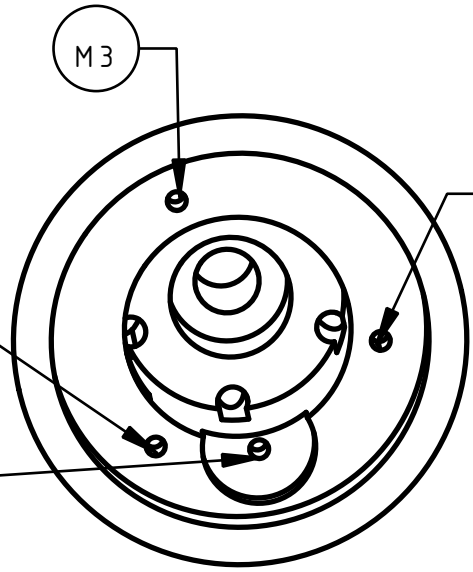
M10

M3

M3

M3

M3




4

3

2

1

F E D

DESIGNED BY: Designed by Name		TARAUDAGES		G	—
DATE: Date		Subtitle		F	—
SIZE A4				E	—
				D	—
SCALE Scale	WEIGHT (kg) Weight	DRAWING NUMBER Drawing number	SHEET Sheet	C	—
This drawing is our property; it can't be reproduced or communicated without our written consent.				B	—
				A	—