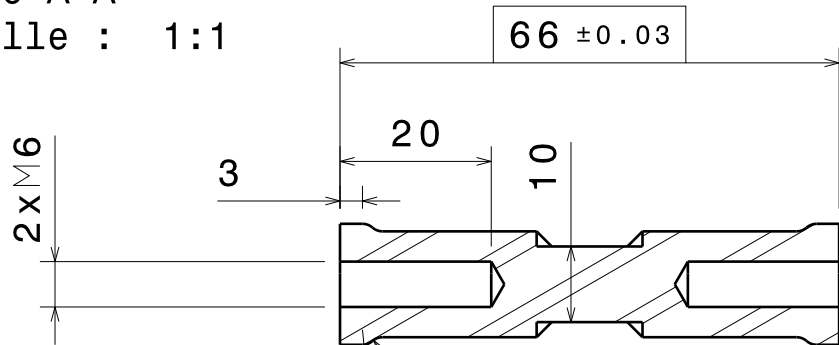
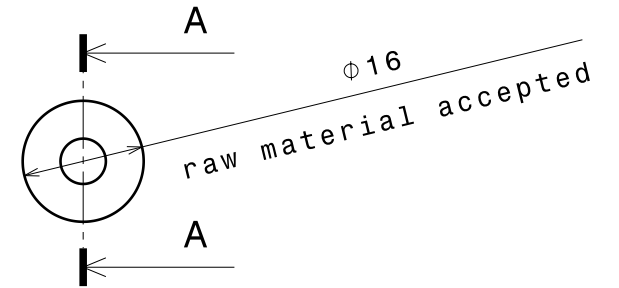


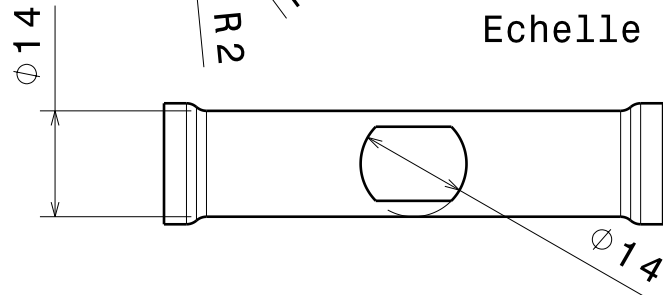
Coupe A-A
Echelle : 1:1



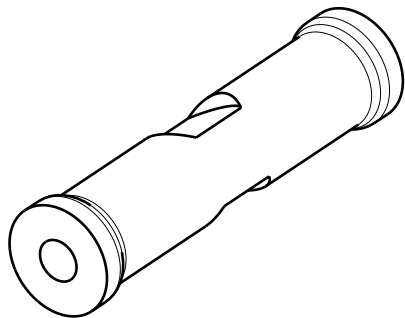
Vue de face
Echelle : 1:1



Vue auxiliaire B
Echelle : 1:1



Vue isométrique
Echelle : 1:1



DESIGNED BY: XXX		ENTRETOISE 66 GALET PALIER SYM DIFF	
DATE: 07-10-2021			
MATERIAL 2017A T451 or 7075T6 or equivalent		TURNING	
TOLERANCE JS13			
SIZE A4		DRAWING NUMBER N°4517-RD00	
QUANTITY 1	WEIGHT 25g		

This drawing is our property; it can't be reproduced or communicated without our written agreement.