

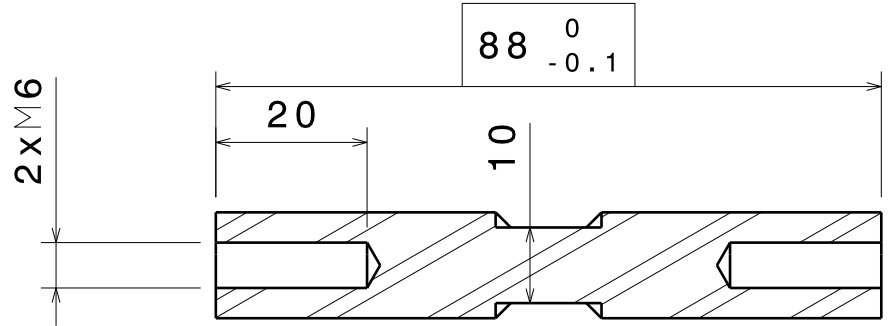
D

C

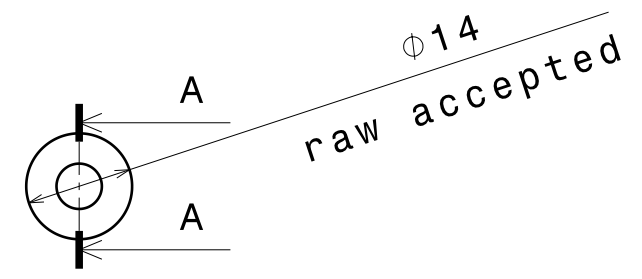
B

A

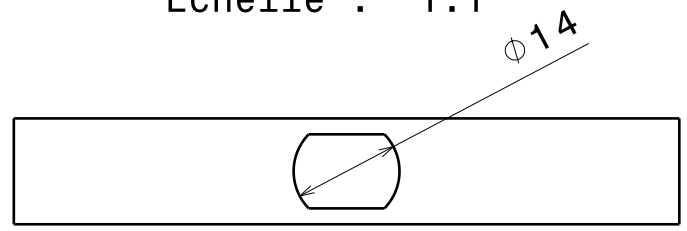
Coupe A-A  
Echelle : 1:1



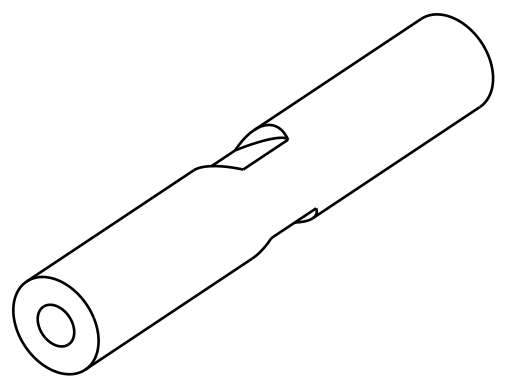
Vue de face  
Echelle : 1:1



Vue auxiliaire B  
Echelle : 1:1



Vue isométrique  
Echelle : 1:1



DESIGNED BY: XXX		<b>ENTRETOISE 88 PALIER SYM DIFF</b>	
DATE: 26-02-2020			
MATERIAL 2017A T451 or 7075T6 or equivalent TOLERANCE JS13		<b>TURNING</b>	
SIZE <b>A4</b>			
QUANTITY <b>4</b>	WEIGHT <b>33g</b>	DRAWING NUMBER <b>N°4516-RD00</b>	SHEET <b>1 / 1</b>
This drawing is our property; it can't be reproduced or communicated without our written agreement.			1 07-10-21

D

A