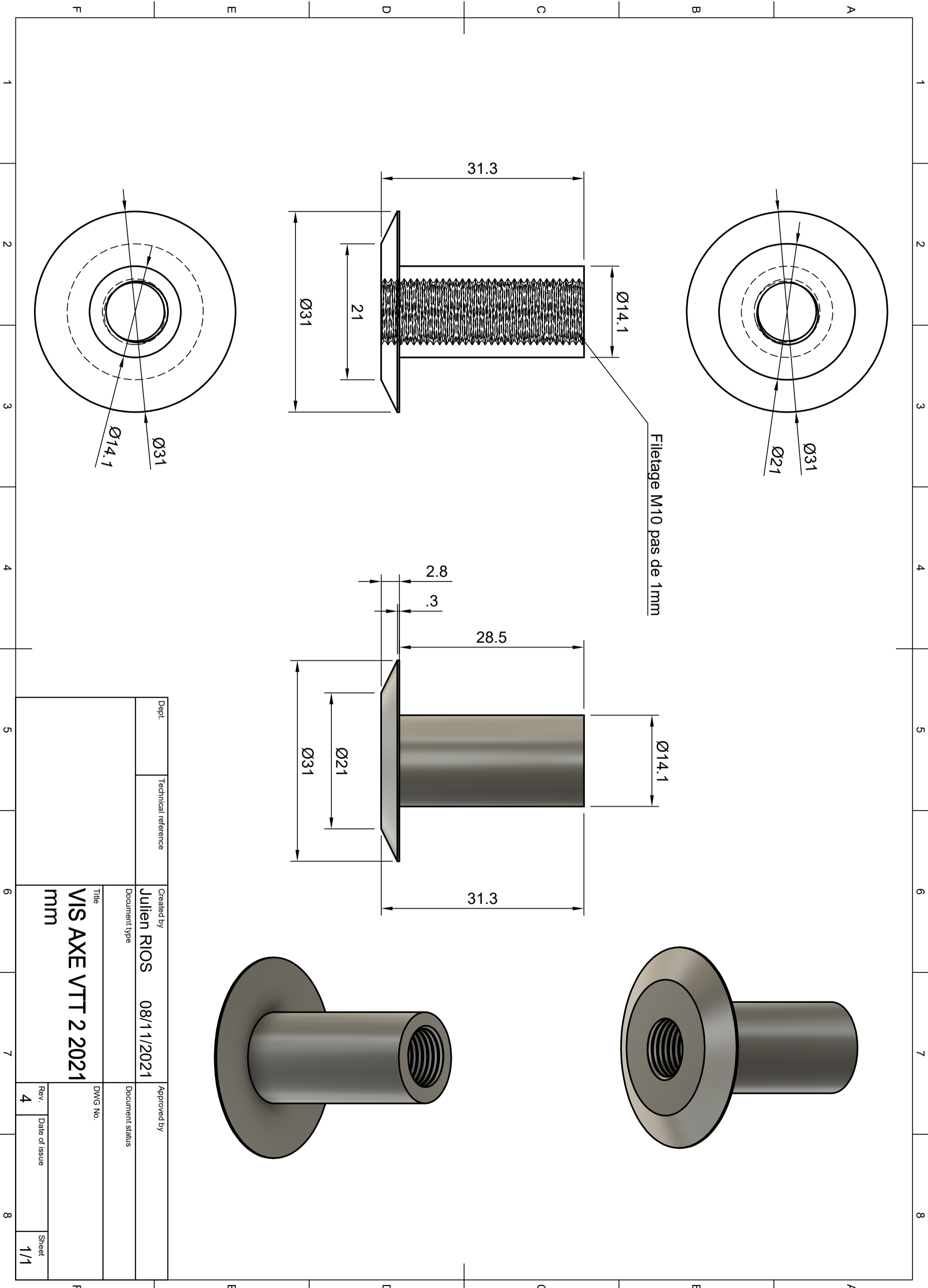
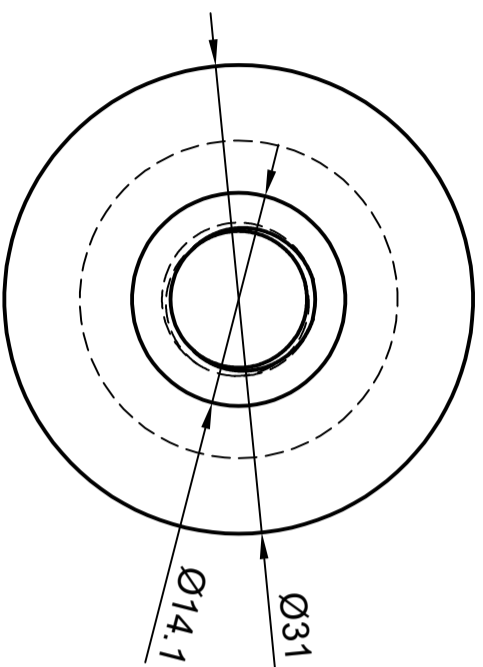
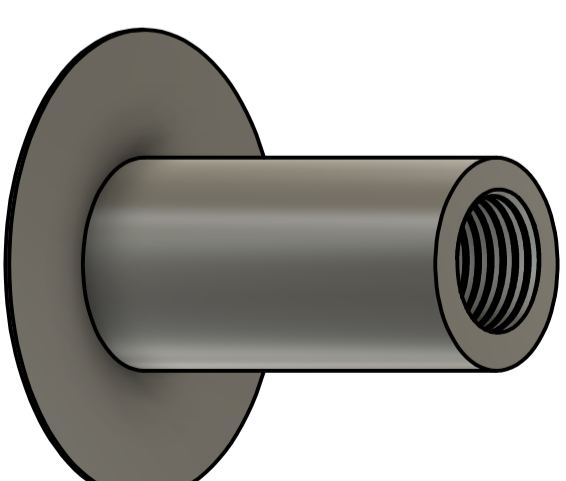
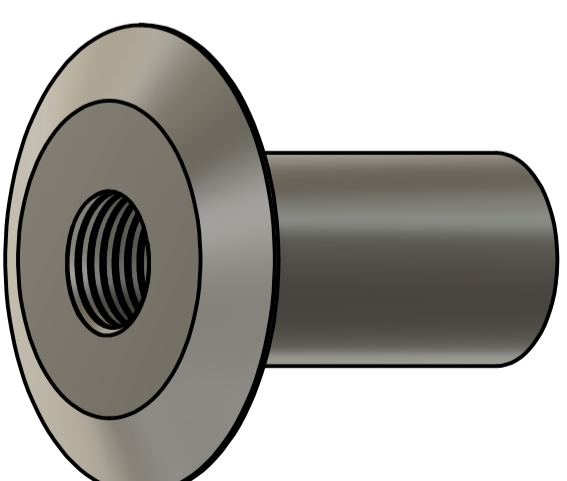
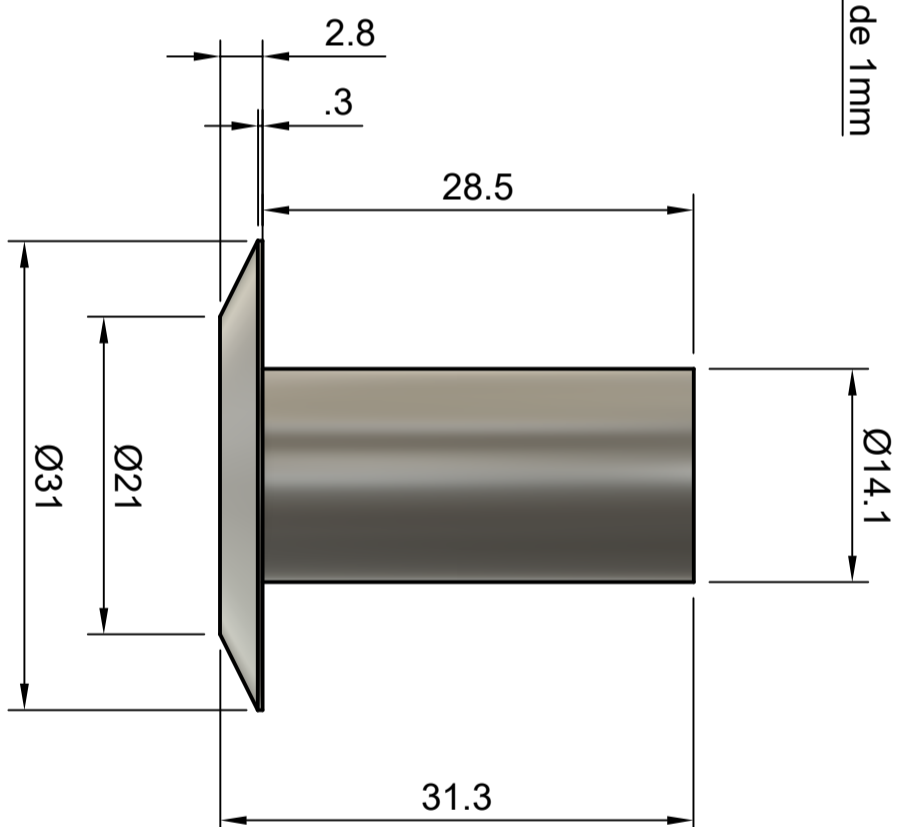


Filetage M10 pas de 1mm



Dept.	Technical reference	Created by	Approved by
		Julien RIOS	
		08/11/2021	
		Document type	Document status
		Title	DWG No.
		VIS AXE VTT 2 2021	
		mm	
Rev.	Date of issue	Sheet	
4		1/1	