

F

E

D

C

B

A

4

3

2

1

Taroudage M8

25,00 mm

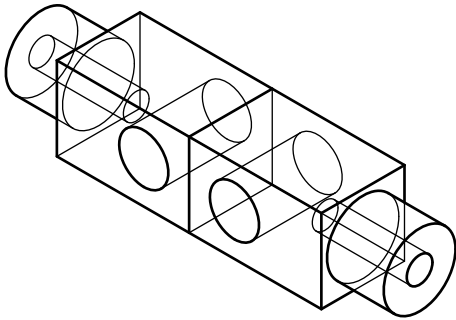
24,00 mm

15,00 mm

22,00 mm

100,00 mm

$\varnothing 19,00 \text{ mm} \begin{matrix} 0 \text{ mm} \\ -0,05 \text{ mm} \end{matrix}$



DESIGNED BY:

Q.STEER

DATE:

18/10/2021

SIZE

A4

Axe 12 mm

Cycles Guedon

SCALE

1:1

WEIGHT (kg)

DRAWING NUMBER

MATERIAL

Acier

This drawing is our property; it can't be reproduced or communicated without our written consent.

F

E

D