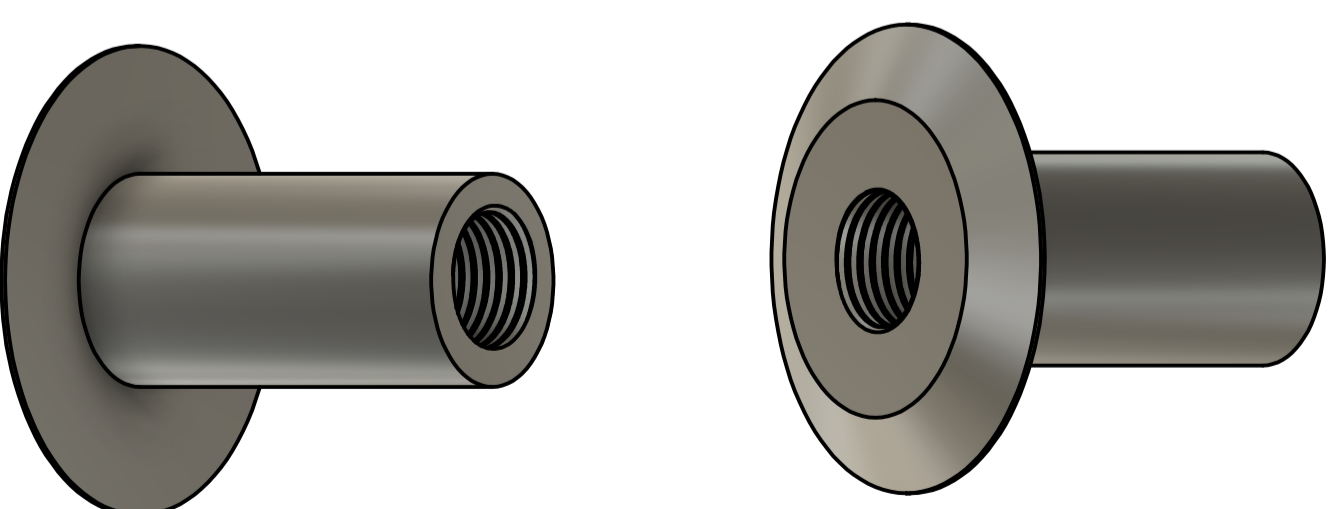
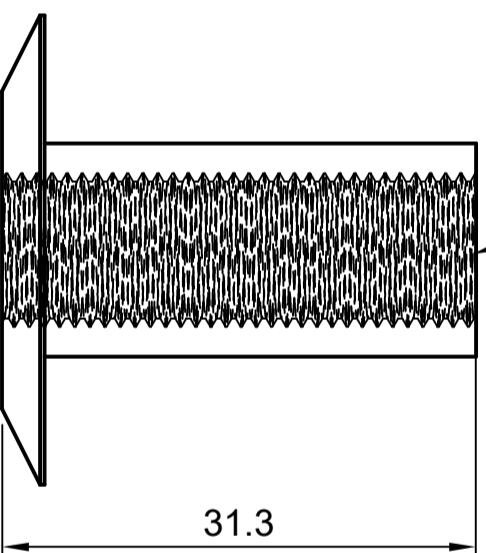


Filetage M10 1mm ?



Dept.	Technical reference	Created by	Approved by
		Xarias	
		16/10/2021	
		Document type	Document status
		VIS AXE VTT 2021	
		Title	DWG No.
		Rev.	Date of issue
		3	
			Sheet
			1/1