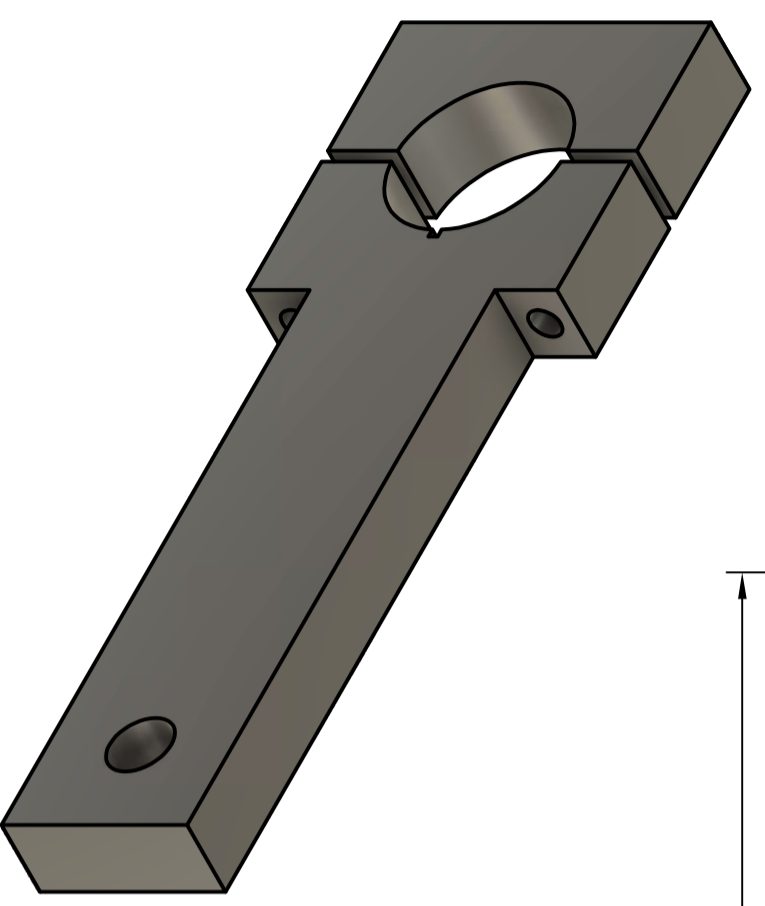
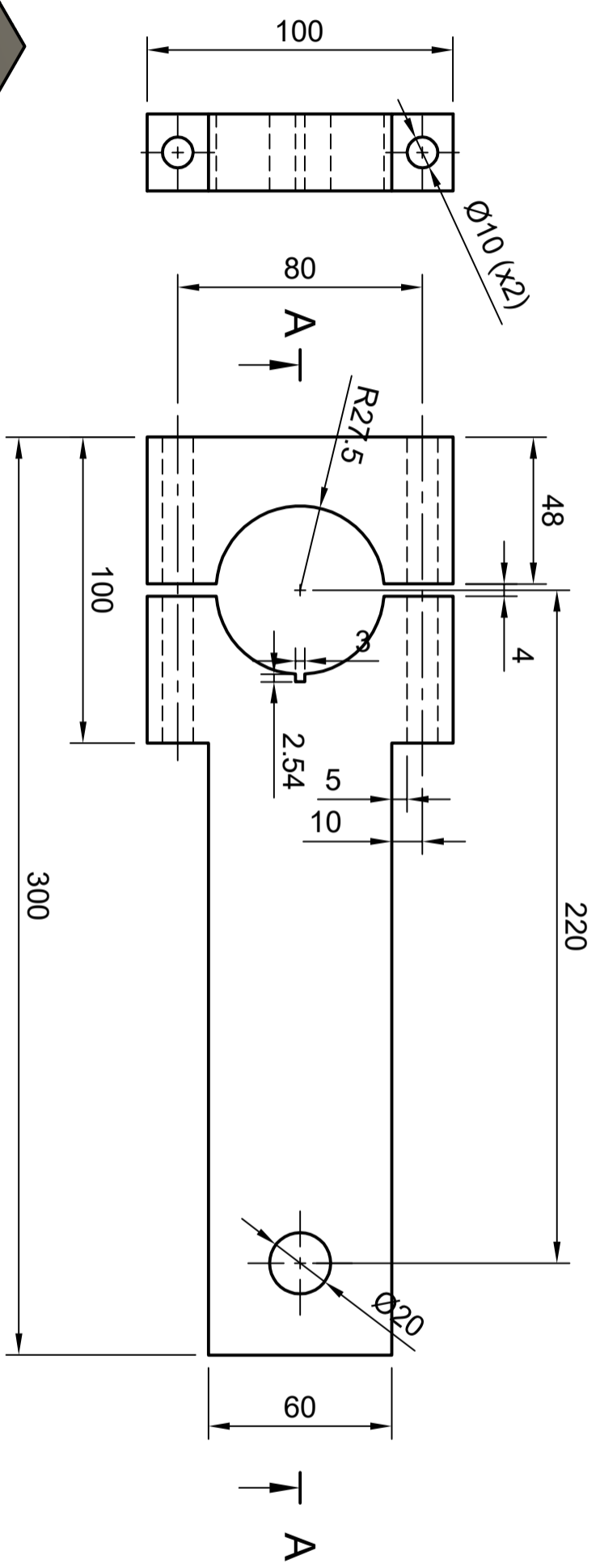
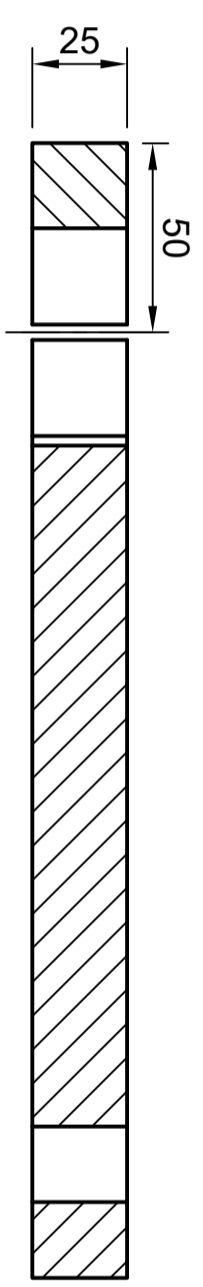


A-A (1:2)



Dept.	Technical reference	Created by	Approved by	Rev.	Date of issue	Sheet
		Beltran				1/1
		Document type	Document status	DWG No.		
		Bras de verin				
		Title				
		11/10/2021				