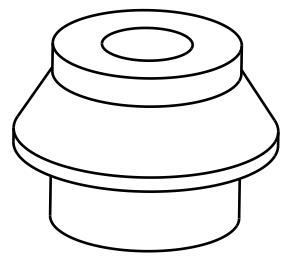
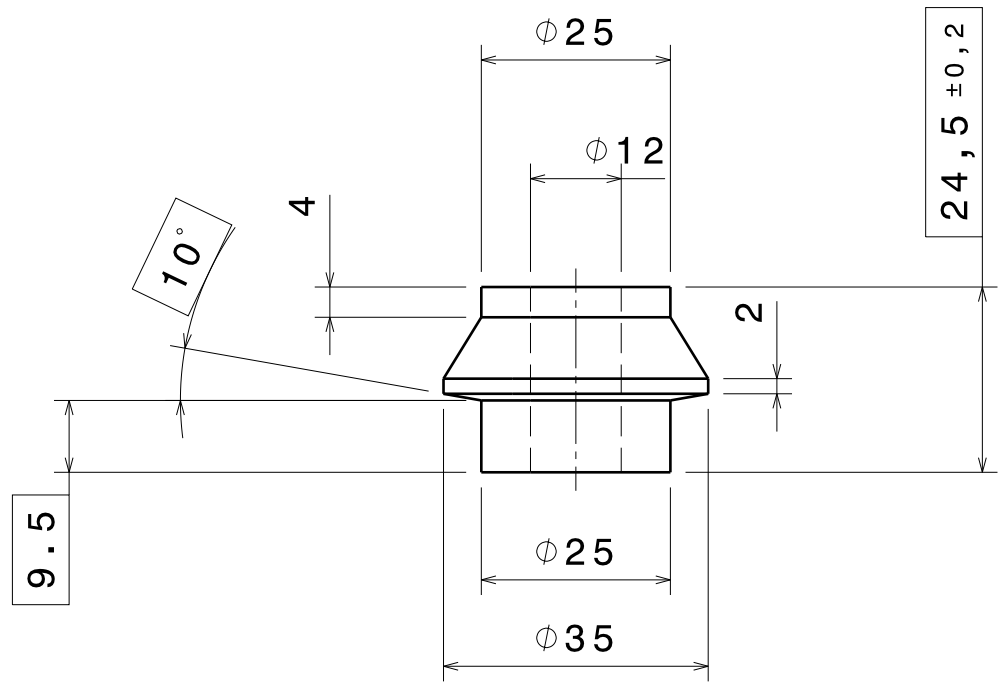


Vue isométrique
Echelle : 1:1



Vue de face
Echelle : 1:1



DESIGNED BY:

XXX

DATE: 22-09-2021

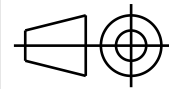
MATERIAL

2017A T451 or 7075T6
or equivalent

TOLERANCE JS13

SIZE

A4



**ENTRETOISE D25
SILENT-BLOC-
POWERFLEX**

TURNING

QUANTITY

2

WEIGHT

32g

DRAWING NUMBER

N° 4328 - RD00

SHEET

1 / 1

This drawing is our property; it can't be reproduced or communicated without our written agreement.