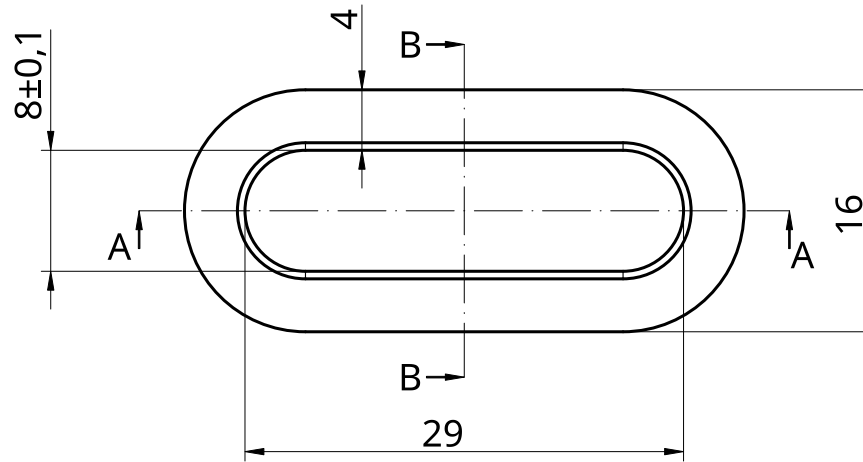
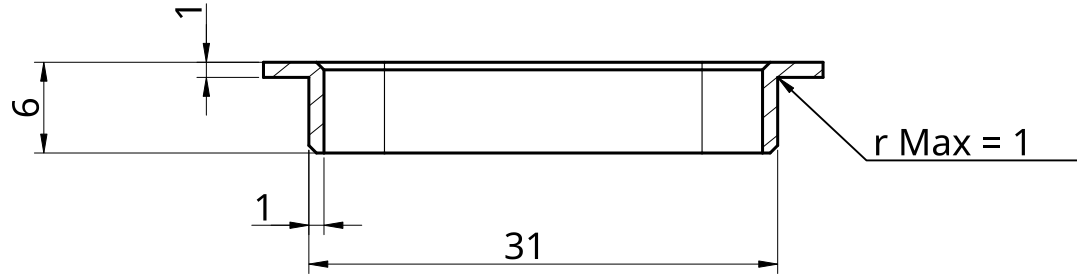
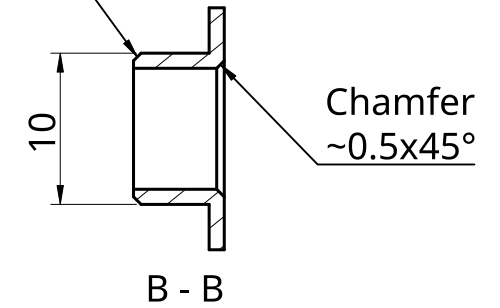
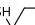
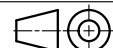


A - A



Chamfer
~0.5x45°



UNLESS OTHERWISE SPECIFIED, DIMENSIONS ARE IN MILLIMETERS Dimension tolerances according to ISO 2768mk ; unless otherwise specified. SURFACE FINISH  DO NOT SCALE DRAWING BREAK ALL SHARP EDGES AND REMOVE BURRS FIRST ANGLE PROJECTION 		NAME	SIGNATURE	DATE	
	DRAWN	LAURENT P		2021-09-14	
	CHECKED				TITLE
	APPROVED				
	MATERIAL	FINISH		SIZE	DWG NO.
				A4	slider
				SCALE	WEIGHT
				2:1	
				SHEET	REV.
				1 of 1	A