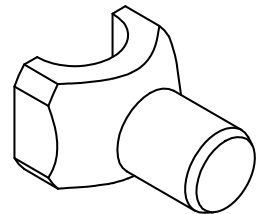
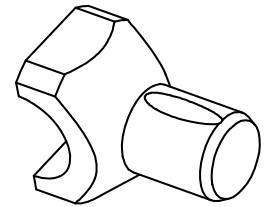
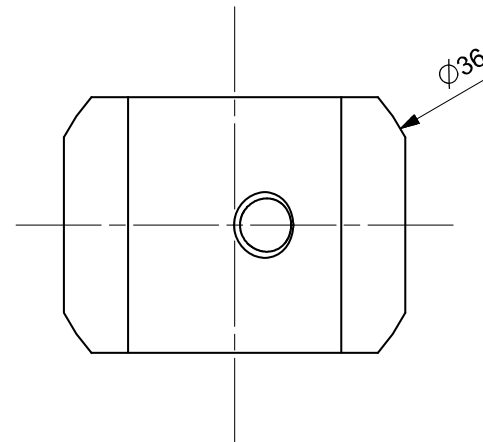
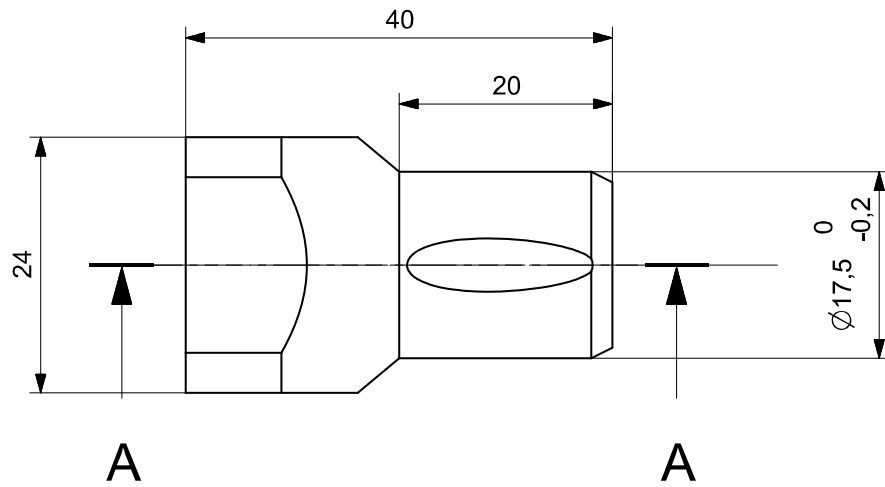


SECTION A-A



DIMENSIONS EN mm
 TOLERANCE GENERALE $\pm 0,2$
 MATERIAU: ALUMINIUM