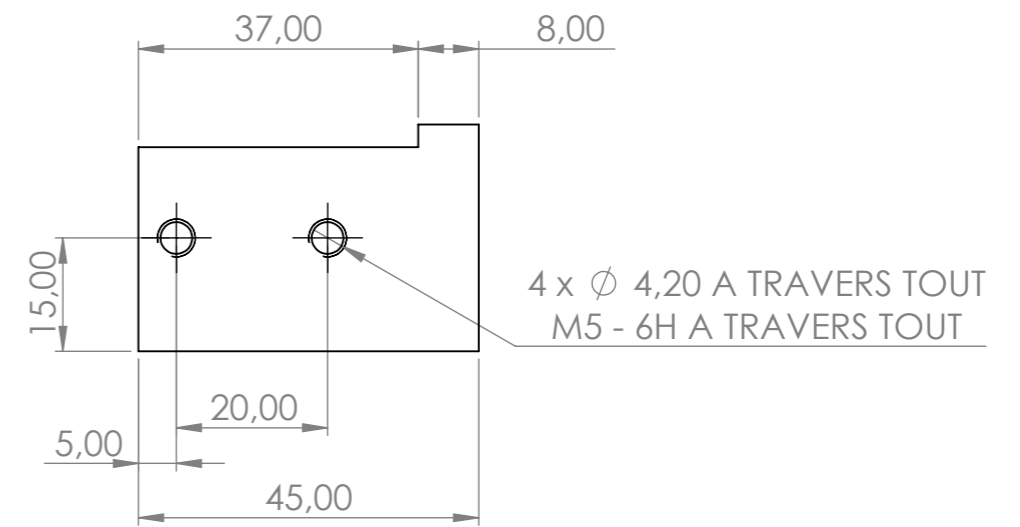
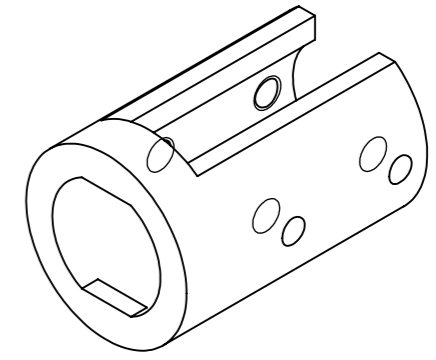
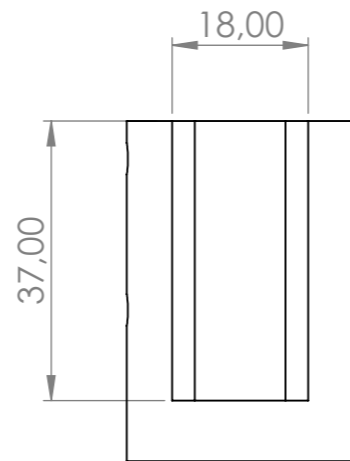
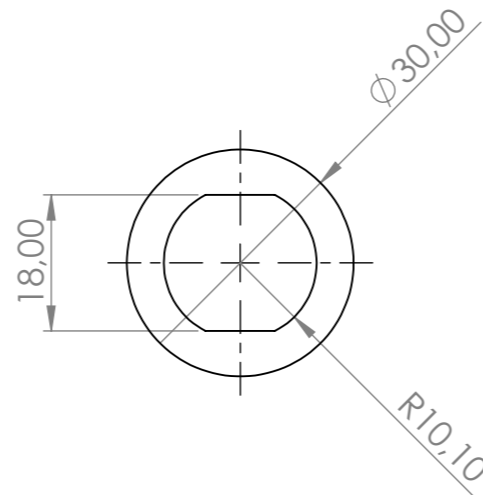
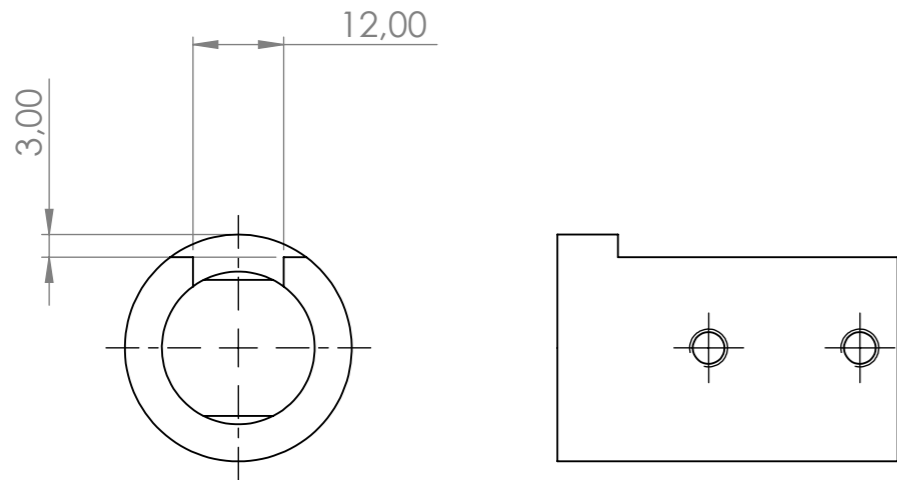


The information contained in this drawing is the sole property of ROBOPLANET. Any reproduction or diffusion to a third party is strictly prohibited without the consent of ROBOPLANET.



This part is fully depicted by its 3D model
PAN-USI-006-A-MANCHON CAPTEUR.STEP

| Version | Edited by | Modification detail | Date |
|---------|-----------|-----------------------------|------|
| E | | | |
| D | | | |
| C | | | |
| B | | | |
| A | Q.M | Agreement for manufacturing | |

| | | | | | | | | |
|---------------------------------------|--|------------------------|---------|----------|-----------|---|--|-------------------------|
| Version : A | | Qty: | | | | Format: A3 | Designed by: Q.M | Date: 26/07/2021 |
| Page: 1/1 | | Longueurs | ≤6 | >6 à 30 | >30 à 120 | >120 | Designation PAN-USI-006-A-MANCHON CAPTEUR | |
| Scale: 1:1 | | | +/- 0,1 | +/- 0,2 | +/- 0,3 | +/- 0,5 | | |
| | | Angle | ≤10 | >10 à 50 | >50 à 120 | >120 | File number PAN-USI-006-A-MANCHON CAPTEUR | |
| | | | ± 1° | ± 30' | ± 20' | ± 10' | | |
| Material: 3.1325 (EN-AW 2017A) | | Treatment: BRUT | | | | ROBOPLANET 6 rue Dieng Kuntz 44307 Nantes cedex 09 8113 40 87 www.roboplanet.fr | | |
| Last backup: 26/07/2021 | | Finish: | | | | | | |