

8

7

6

5

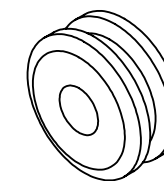
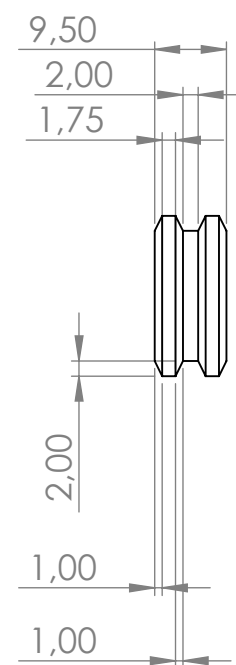
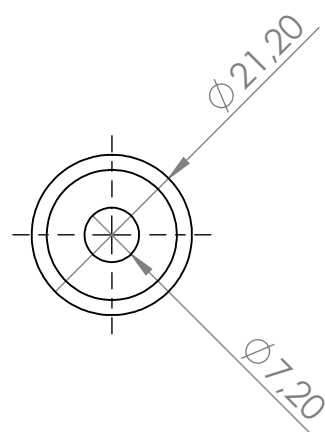
4

3

2

1

The information contained in this drawing is the sole property of ROBOPLANET. Any reproduction or diffusion to a third party is strictly prohibited without the consent of ROBOPLANET.



This part is fully depicted by its 3D model PAN-USI-001-A-GALET.STEP

Version	Edited by	Modification detail	Date
E			
D			
C			
B			
A	Q.M	Agreement for manufacturing	22/07/2021

Version : A		Qty:				Format: A3	Designed by: Q.M	Date: 22/07/2021
Page: 1/1	Longueurs	≤6	>6 à 30	>30 à 120	>120	Designation PAN-USI-001-A-GALET		
Scale: 1:1		+/- 0,1	+/- 0,2	+/- 0,3	+/- 0,5			
	Angle	≤10	>10 à 50	>50 à 120	>120	File number PAN-USI-001-A-GALET		
		± 1°	± 30'	± 20'	± 10'			
Material: 3.1325 (EN-AW 2017A)		Treatment:				 ROBOPLANET 6 rue Dieng Kuntz 44307 Nantes cedex 09 8113 40 87 www.roboplanet.fr		
Last backup: 13/07/2021		Finish:						

8

7

6

5

4

3

2

1