

8

7

6

5

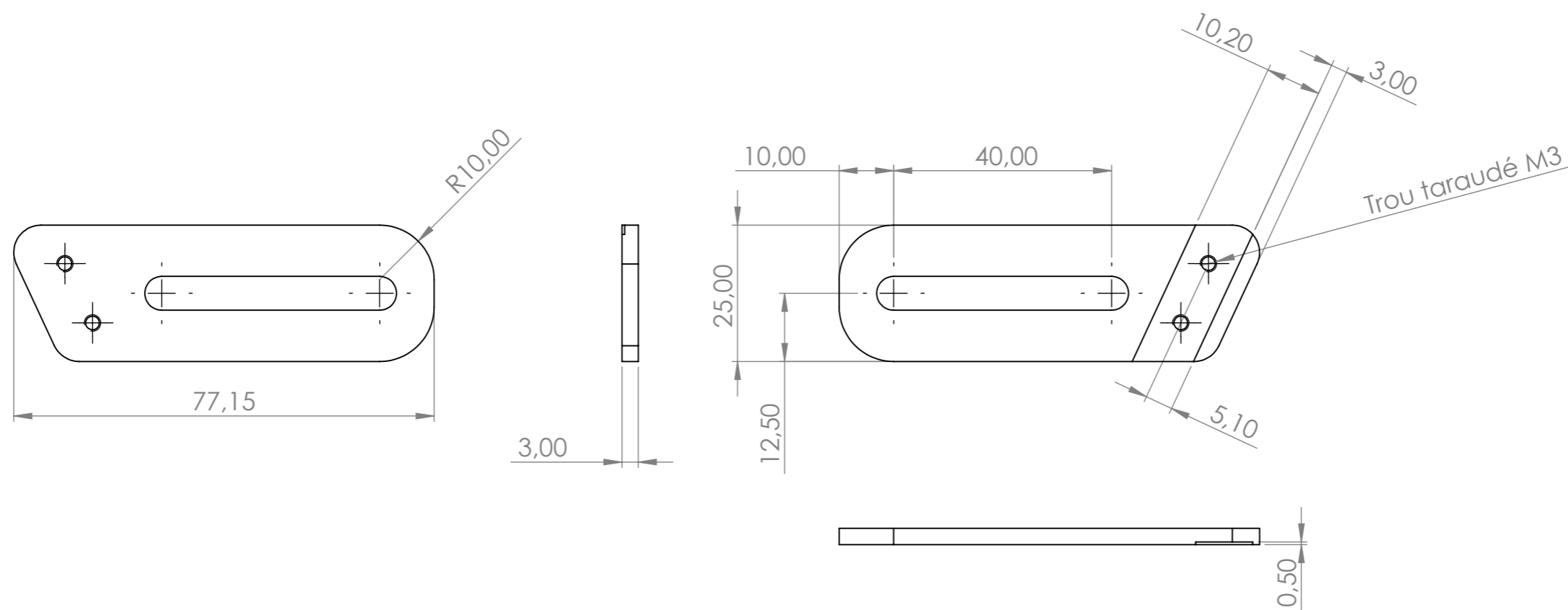
4

3

2

1

The information contained in this drawing is the sole property of ROBOPLANET. Any reproduction or diffusion to a third party is strictly prohibited without the consent of ROBOPLANET.



This part is fully depicted by its 3D model PAN-ESI-008-A-BUTEE SYM.STEP

Version	Edited by	Modification detail	Date
E			
D			
C			
B			
A	Q.M	Agreement for manufacturing	26/07/2021

Version : A	Qty:	Format: A3	Designed by: Q.M	Date: 26/07/2021		
Page: 1/1	Longueurs	≤6	>6 à 30	>30 à 120	>120	Designation PAN-ESI-008-A-BUTEE SYM
Scale: 1:1		+/- 0,1	+/- 0,2	+/- 0,3	+/- 0,5	
	Angle	≤10	>10 à 50	>50 à 120	>120	File number PAN-ESI-008-A-BUTEE SYM
		± 1°	± 30'	± 20'	± 10'	
Material: Matériau <non spécifié>		Treatment:				 ROBOPLANET 6 rue Dieng Kuntz 44307 Nantes cedex 09 8113 40 87 www.roboplanet.fr
Last backup: 26/07/2021		Finish:				

8

7

6

5

4

3

2

1